

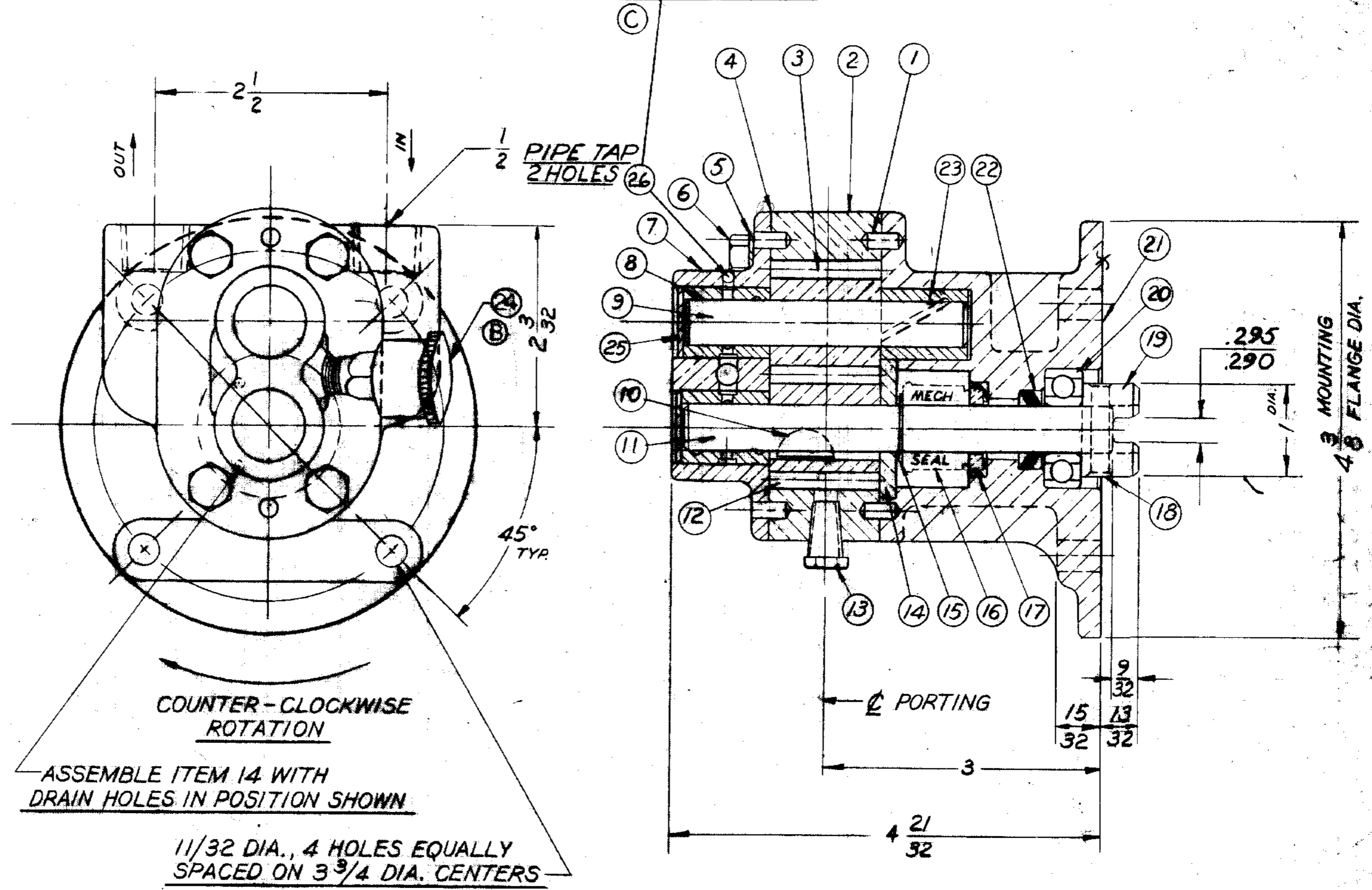
①

MINOR REPAIR KIT #12951
MAJOR REPAIR KIT # 13369

SERVICE PART NO.	COMPONENT PART NO'S	NO. REQ'D
8455 COVER	8453 5238 17891	1 2 2
5279 HOUSING	5249 1311	1 4
11366 BODY	11362 5747	1 1
11367 SEAL & SEAT	10522 11361	1 1

PARTS LIST			
NO.	PART NO.	DESCRIPTION	REQ'D
1	1311	DOWEL PIN	4
2	5249	HOUSING - GEAR	1
3	5237	DRIVEN GEAR	1
4	5248	VELLUMOID GASKET	2
5	P-1270	LOCKWASHER	4
6	6304	HEX HEAD CAP SCREW	4
7	8453	PUMP COVER - GEAR	1
8	17891	BUSHING - BODY	2
9	5247	DRIVEN SHAFT	1
10	X-4061	N° 5 WOODRUFF KEY	1
11	11363	DRIVE SHAFT	1
12	5725	DRIVE GEAR	1
13	336	DRAIN PLUG	1
14	5725	SPACER PLATE	1
15	3304	EXTERNAL RET. RING	1
16	10522	MECHANICAL SEAL	1
17	11361	SEAT - FLOATING	1
18	418	COUPLING PIN	1
19	11364	COUPLING - DRIVE	1
20	11365	BALL BEARING	1
21	11362	PUMP BODY - GEAR	1
22	7269	LIP SEAL	1
23	5747	BUSHING - BODY	1
24	17674	CUP - GREASE	1
25	5238	PLUG - EXPANSION	2
26	12085	BALL 1/8	1
27	17636	CARTON	1
28	12209	LABEL	1
29	14474	JEFFY BAG N° 4	1

THE MACHINE SHOP MUST PRESS THE #12085 BRASS BALL INTO THE COVER AFTER DRILLING THE #32(.116) HOLE



CAPACITY
53 GALLONS PER MINUTE
AT 1500 R.P.M. PUMP SPEED

HELICAL GEARS

CURVE NO. 740016

FLDW CURVE B-11

SHERWOOD
A DIVISION OF HYPRO CORPORATION
6301 E. JEFFERSON AVE. • DETROIT, MICHIGAN 48207

REV.	DESCRIPTION	DATE	BY
E	CARTON AND LABEL ADDED	5/19/67	RM
D	MINOR REPAIR KIT #12951	11-11-66	RM
C	ITEM #6 12085 ADDED	7-22-66	RM
B	COVER ROTATED 180°	7-20-66	RM
A	NEW #5 SET GEAR	7-14-66	RM

TITLE GEAR PUMP ASS'Y		SCALE FULL	
DRAWN D.V.B.		DATE 5-31-67	
CHECKED A.V.B.		DATE 6-9-67	
APPROVED		DATE	

SEE DETAILS
PART NO.
B-11