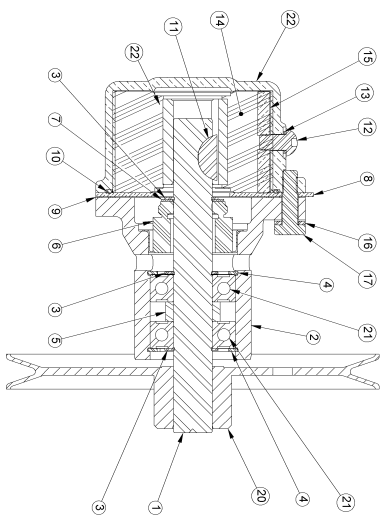
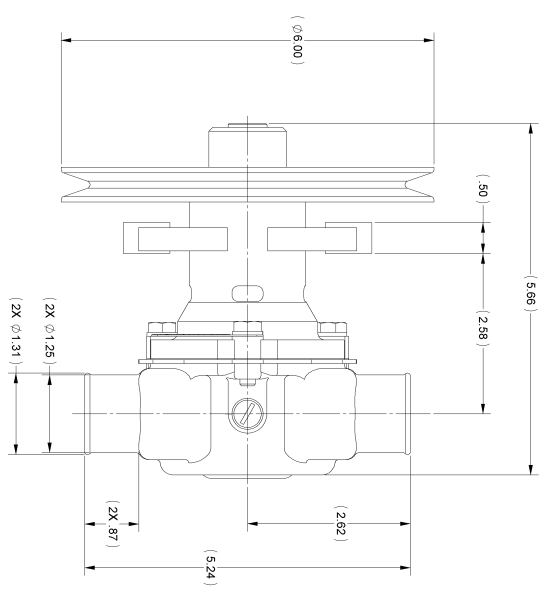
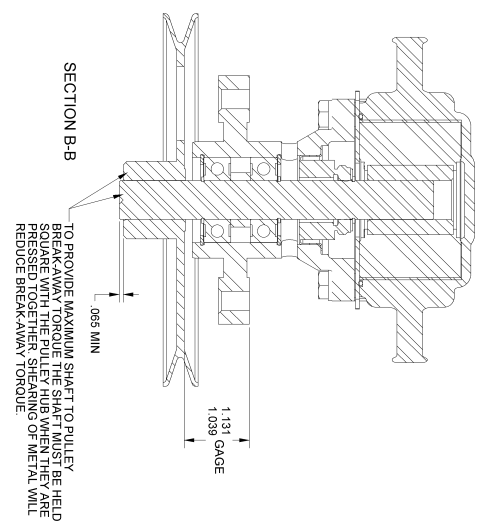


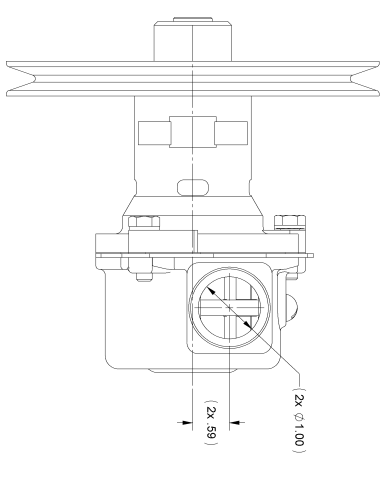
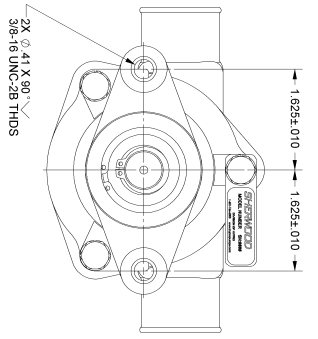
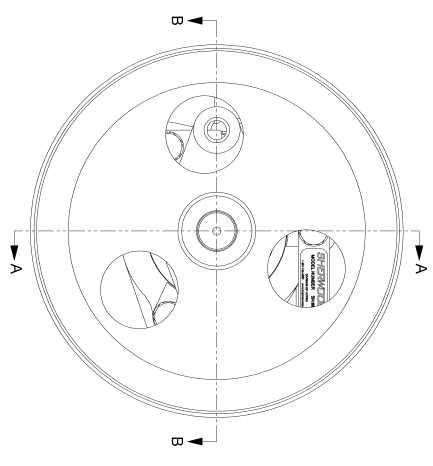
ITEM NO.	PART NUMBER	DESCRIPTION	QTY.
1	13953	SHAFT	1
2	12227	KEY	1
3	04256	EXT. RETAINING RING	2
4	04259	INT. RETAINING RING	3
5	05133	SPACER	2
6	05134	TYPE 6A SEAL/SEAT ASSY	1
7	04254	TYPE 6A WASHER	1
8	12666	WEAR PLATE	1
9	12665	GASKET	1
10	12231	WOOD RING	1
11	12230	WOOD RING KEY	1
12	18995	SCREW 1/4-20 ROUND HD	1
13	18996	CAM WASHER	1
14	10615	RUBBER IMPELLER	1
15	10940	RUBBER IMPELLER	1
16	11740	LOOKWASHER	3
17	12667	LOOKWASHER	3
18	13285	1/4-20 HHCS	3
19	23083	TAG	1
20	12214	IMPELLER LABEL	1
21	12211	BALL BEARING	1
22	12228	HOUSING	1

NOTES:

1. APPLY BEAD OF PERMATEX AROUND CAM THREADED HOLE PRIOR TO ASSEMBLY. ITEM 15.
2. USE WATER ONLY WHEN INSTALLING TYPE 6A SEAL/SEAT ASSY. ITEM 6.
3. USE COOLANT TO AID IN INSTALLATION OF RUBBER IMPELLER. ITEM 14.
4. TORQUE 1/4-20 HHCS TO 5 - 8 FT/LBS. ITEM 17.
5. PRESSURE TEST PUMP TO 20 - 30 PSI.
6. PRINT G26 AND DATE CODE ON LABEL. ITEM 19.



SECTION A-A



REV.	NO.	DESCRIPTION	DATE	BY	CHKD.	DATE
1	002	ISSUED FOR MANUFACTURE	11/16/2007			
2	001	REVISED TO ADD DIMENSIONS	02/28/2007			

SHERWOOD COMPANY		DRAWN BY: RJM DATE: 2/28/1994	
30770 Highway 100, New Bedford, MA 01945		CHECKED BY: RJM DATE: 2/28/1994	
DESIGNS BASED ON MODEL Y14.004.004 (NO PROF SCALE PRINT)		SCALE: 1:1	
PART DESCRIPTION: IMPELLER PUMP ASSEMBLY		REV: J	