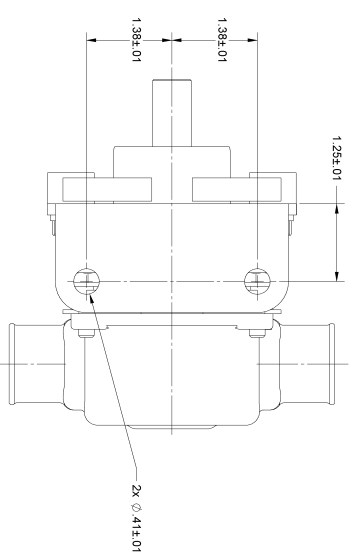
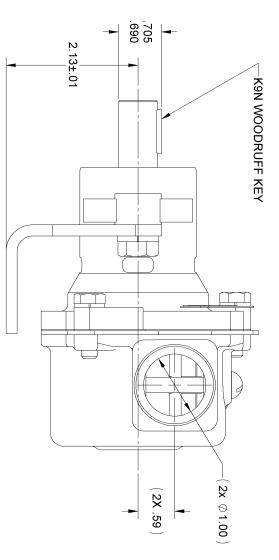
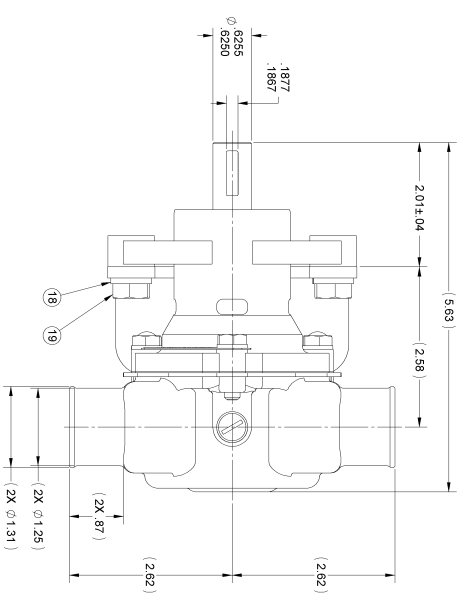
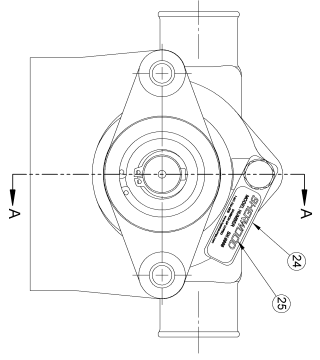
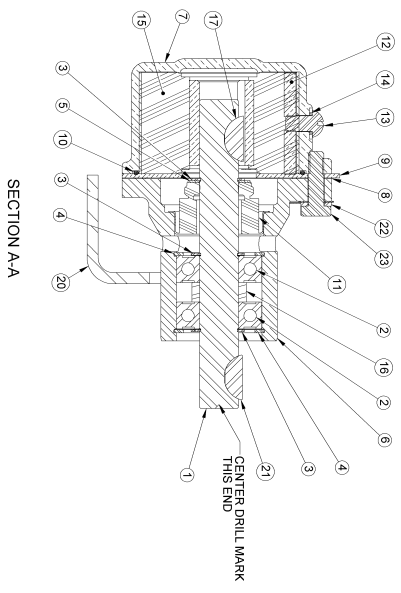


ITEM NO.	PART NUMBER	DESCRIPTION	QTY.
1	11877	SHAFT	1
2	04258	EXT. RETAINING RING	2
3	04259	INT. RETAINING RING	2
4	04264	FLAT WASHER	1
5	12226	HOUSING	1
6	12856	GASKET	1
7	12857	WEAR PLATE	1
8	12858	RUBBER IMPELLER	1
9	12231	TYPE 6A SEAL/SEAL ASSY	1
10	10844	CAM	1
11	19999	SREW 1/4-20 ROUND HD	1
12	04432	CAM WASHER	1
13	04432	RUBBER SPACER FILLER	1
14	04432	WOODRUFF KEY	1
15	04991	LOCKWASHER - 3/8	2
16	04991	HCCS 3/8 DNG	2
17	11833	MOUNT KEY	1
18	12822	LOCKWASHER	3
19	12710	1/4-20 HCCS	3
20	12857	WEAR PLATE	1
21	12856	GASKET	1
22	04259	INT. RETAINING RING	2
23	04258	EXT. RETAINING RING	2
24	23693	LABEL	1

ASSEMBLY NOTES:

1. APPLY BEAD OF PERMATEX AROUND THREADED HOLE IN CAM, ITEM 12.
2. USE WATERS ONLY WHEN INSTALLING TYPE 6A SEAL/SEAL ASSY, ITEM 9.
3. USE COLLANT TO AID IN INSTALLATION OF RUBBER IMPELLER, ITEM 8.
4. TORQUE 1/4-20 HCCS TO 5 - 8 FT/LBS, ITEM 23.
5. PRESSURE TEST PUMP TO 20 - 30 PSI.
6. PRINT ON LABEL, ITEM 25.



SHERWOOD COMPANY
 207 First Avenue, New Bedford, MA 01910
 508-457-2000

DESIGNED BY: R. J. BROWN
 DRAWN BY: R. J. BROWN
 DATE: 11/15/2007

REVISIONS:

REV.	DATE	DESCRIPTION
1	11/15/2007	REWORKED 2006 SCALE DRAWING TO 2007 SCALE PRINT
2	04/27/2007	REWORKED 2006 SCALE DRAWING TO 2007 SCALE PRINT

SCALE: 1:1
 SHEET NUMBER: 1 OF 1
 PART NUMBER: RUBBER IMPELLER PUMP
 DATE: 11/15/2007
 REV: H