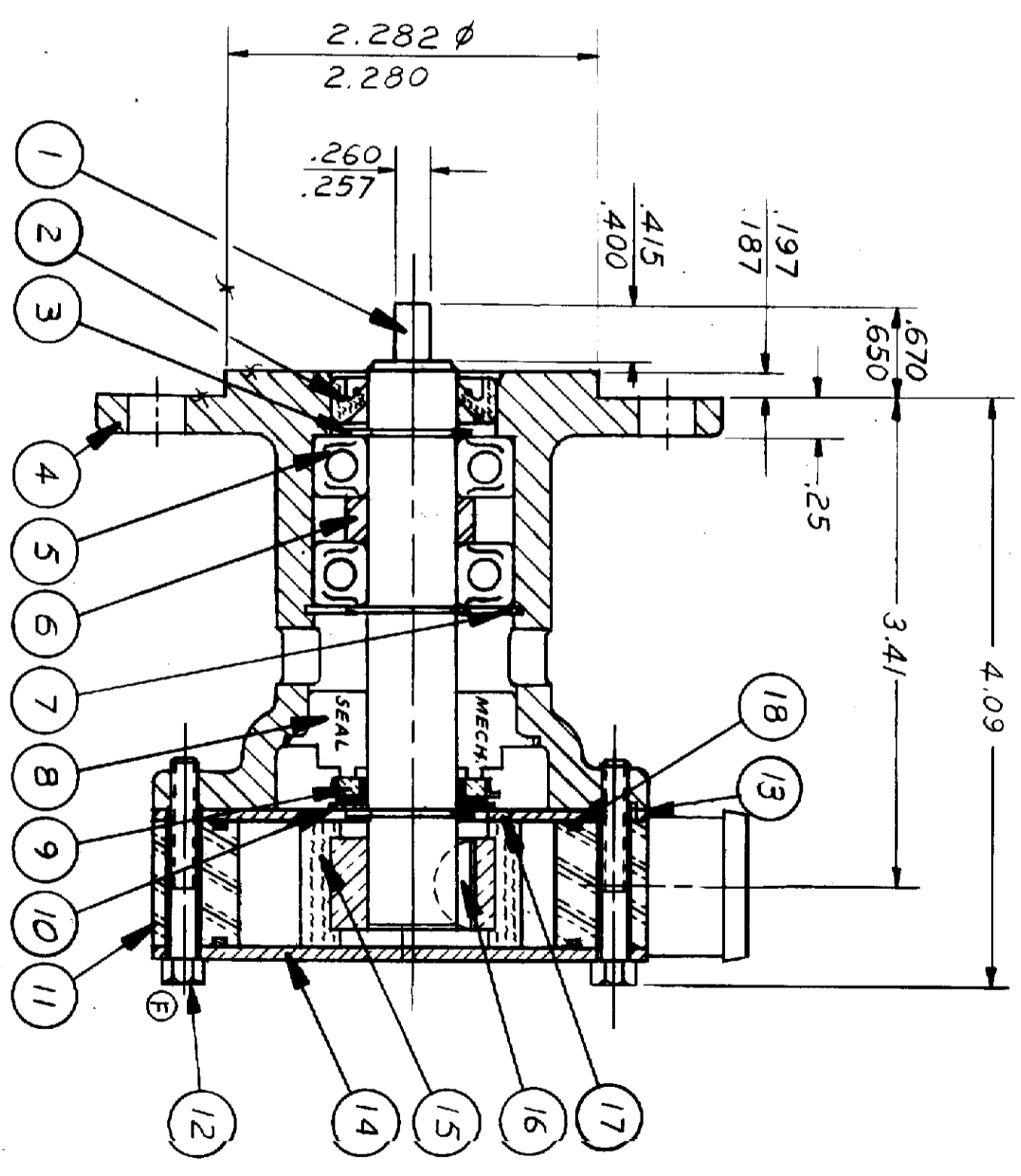
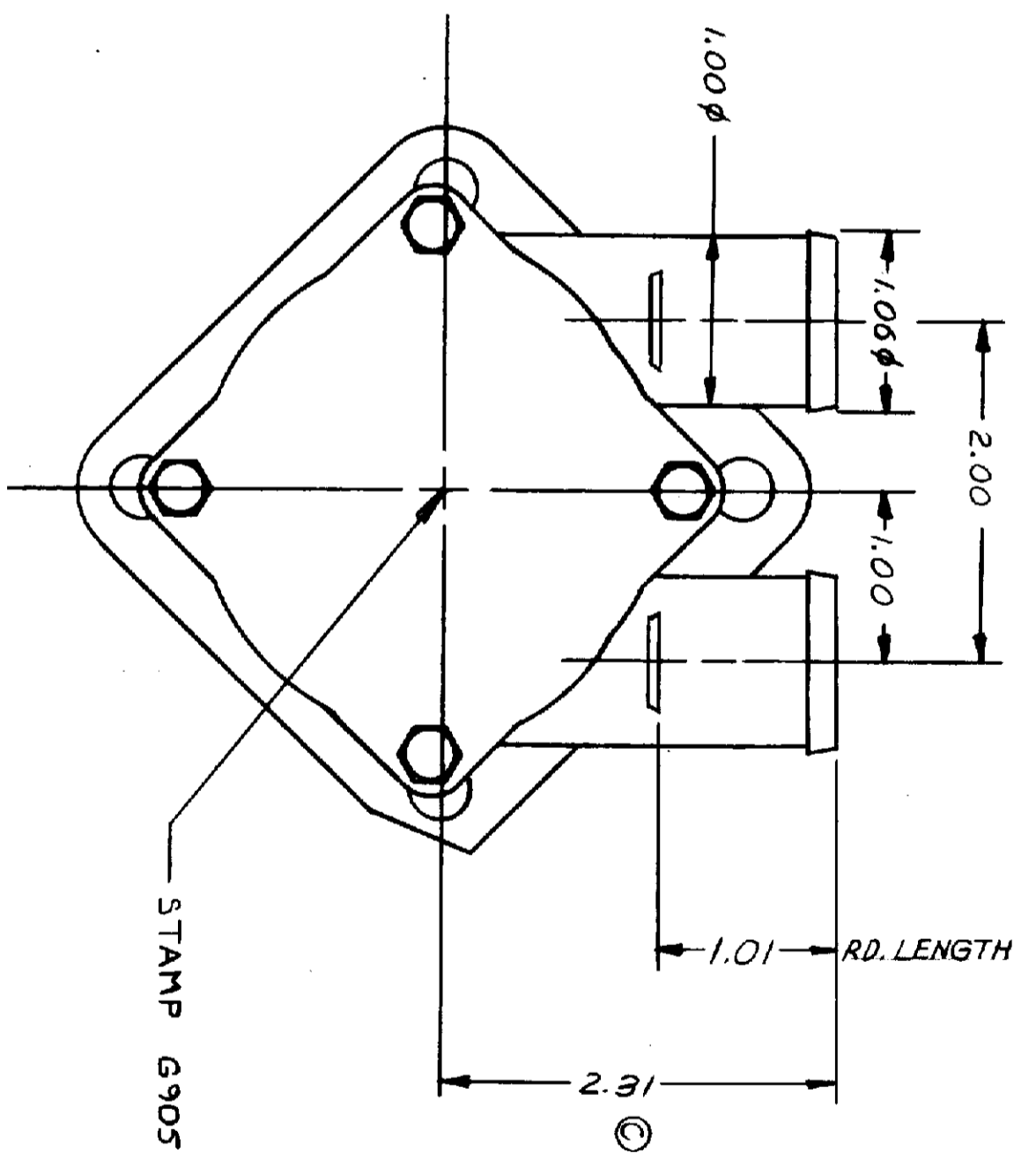
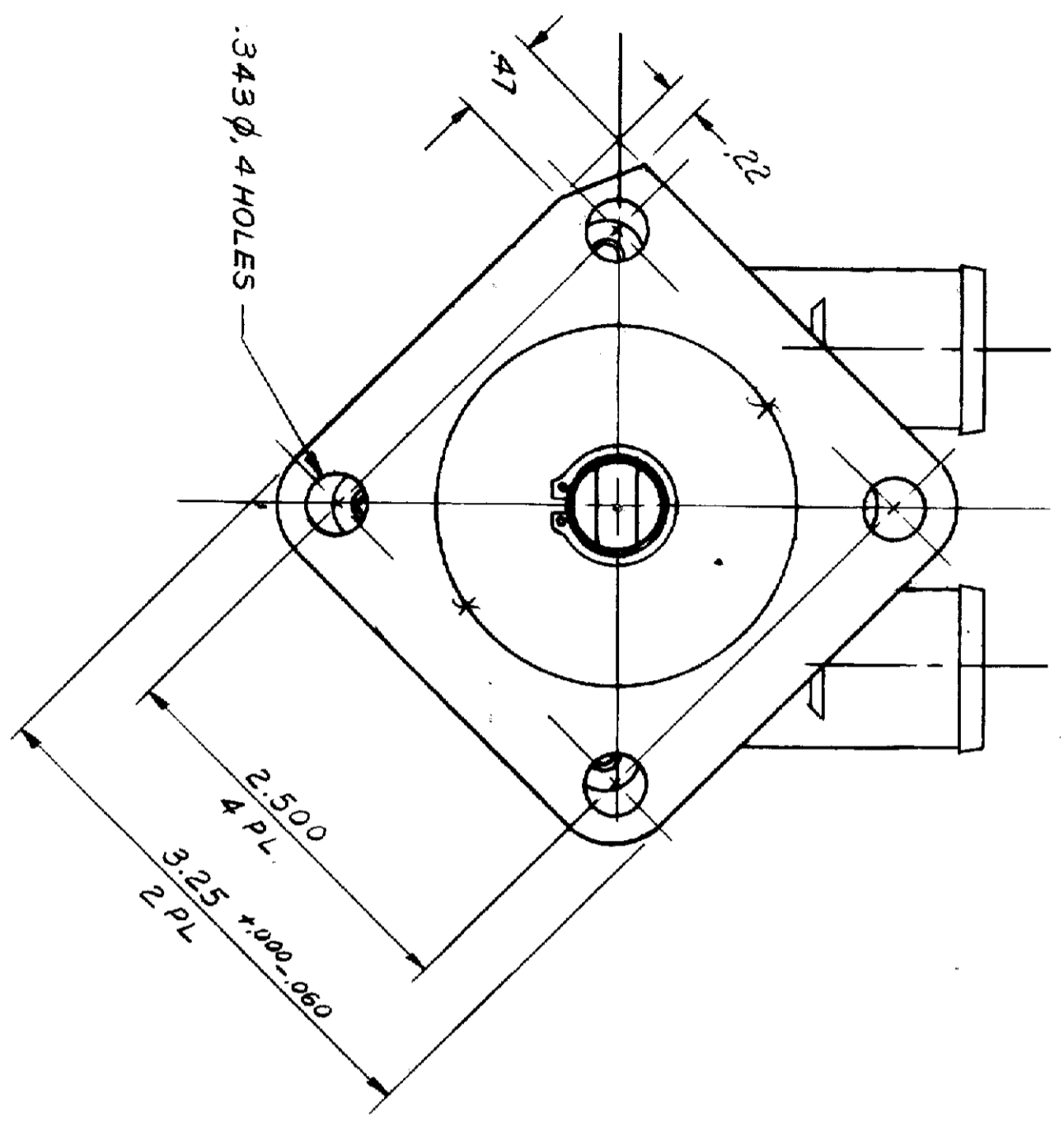


PARTS LIST

ITEM	DESCRIPTION	PART No	QTY.
1	SHAFT	19252	1
2	LIP SEAL	18570	1
3	EXT. RETAINING RING	4258	3
4	BODY	19253	1
5	BALL BEARING	12211	2
6	SPACER	5133	1
7	INT. RETAINING RING	4259	1
8	MECHANICAL SEAL	12314	1
9	SEAT - SEAL	12256	1
10	WASHER	4264	1
11	HOUSING	19201	1
12	FILL. HD. CAPSCREW	19256	4
13	GASKET	19257	1
14	COVER PLATE	19255	1
15	IMPELLER	9000	1
16	KEY	18576	1
17	END PLATE	19254	1
18	O-RING GASKET	19964	2

(E) (B) (D)



REV.	DESCRIPTION	DATE	BY
A	ASSEMBLY REVISED	11/16/89	K.B.
B	O-RING GASKET NO 19274 CHANGED	11/16/89	AVB
C	2.31 PORT HEIGHT WAS 2.06	6/28/89	AVB
D	WAS NO 19274	6/28/89	KRS
E	WAS 10514	6/28/89	TLG
F	CORRECTED FRONT VIEW OF DET. #12	6/28/89	TLG

SHERWOOD
 A DIVISION OF HYPRO CORPORATION
 6331 E. JEFFERSON AVE. • DETROIT, MICHIGAN 48207

TITLE: RUBBER IMPELLER PUMP ASSEMBLY
 DATE: 12/27/89
 DRAWING NO.: 692

SEE DETAILS

DWG. NO.: G905

UNLESS OTHERWISE SPECIFIED:
 CAST DIMENSIONS ± .01
 FILETS & RACK AS
 FINISH STOCK .07
 MACHINING TOLERANCE RICHES
 XX ± .01, XXX ± .005
 SURFACE FINISHES
 ANGLES ± .01 3R
 CORNER ROUNDS AT MAX.

FLATNESS .0015 MAX
 SOLIDNESS .0015
 CONCENTRICITY .008
 ROUNDNESS .005
 RUNOUT .002