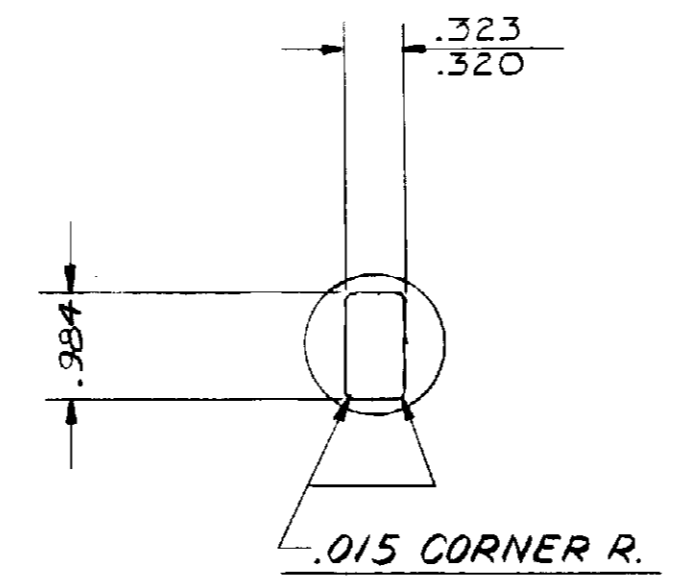


PARTS LIST

ITEM	PART NO.	DESCRIPTION	REQ'D
1	7070	SLINGER	1
2	11628	LIP SEAL	2
3	11518	CARBON BUSHING	1
4	11882	SHAFT	1
5	11880	BODY	1
6	11885	GASKET	1
7	13293	SCREW (NO. 10)	6
8	11884	COVER PLATE	1
9	10093	NO. 2 WOODRUFF KEY	1
10	10077	IMPELLER	1
11	10285	CAM (.125)	1
12	10195	SCREW 10-32xV4	1
13	12863	RETAINING RING	2

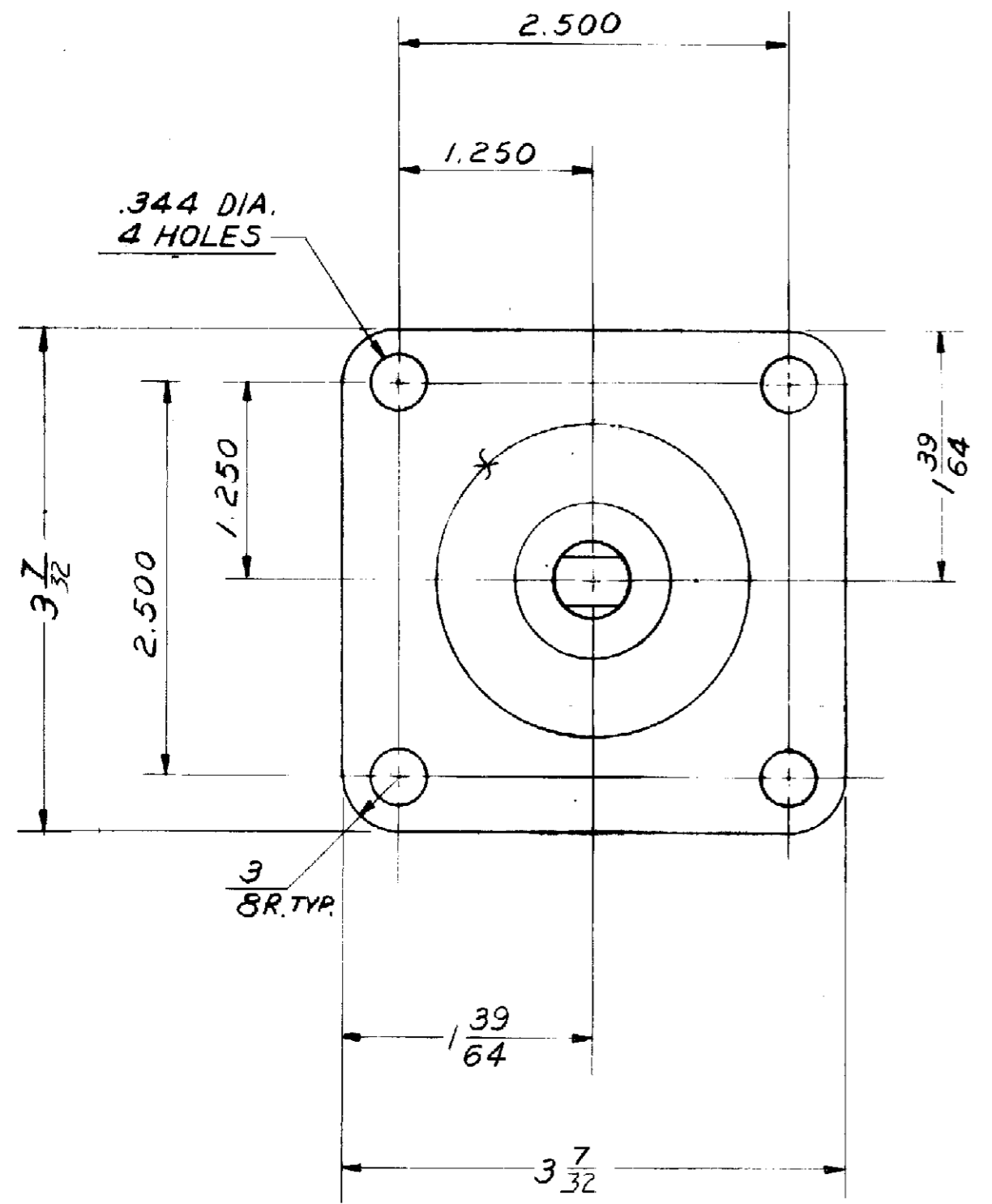
SERVICE ASS'Y NO	COMPONENT ITEM NO.'S
BODY ASS'Y NO. 11881	513
MINOR REPAIR KIT NO. 13367	
MAJOR REPAIR KIT NO. 13366	



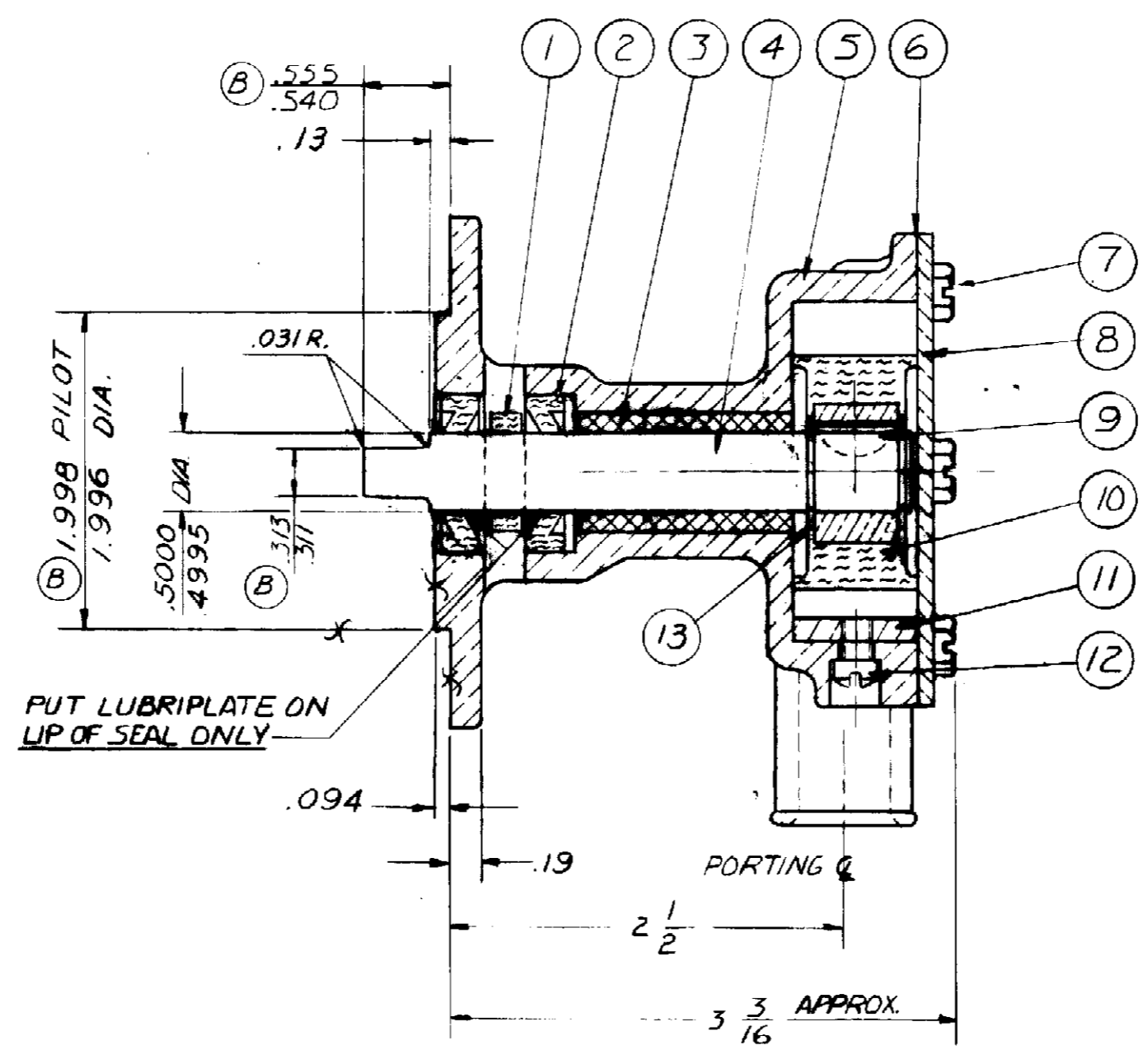
ENGINE FEMALE TANG DRIVE

UNIT PACKAGING:

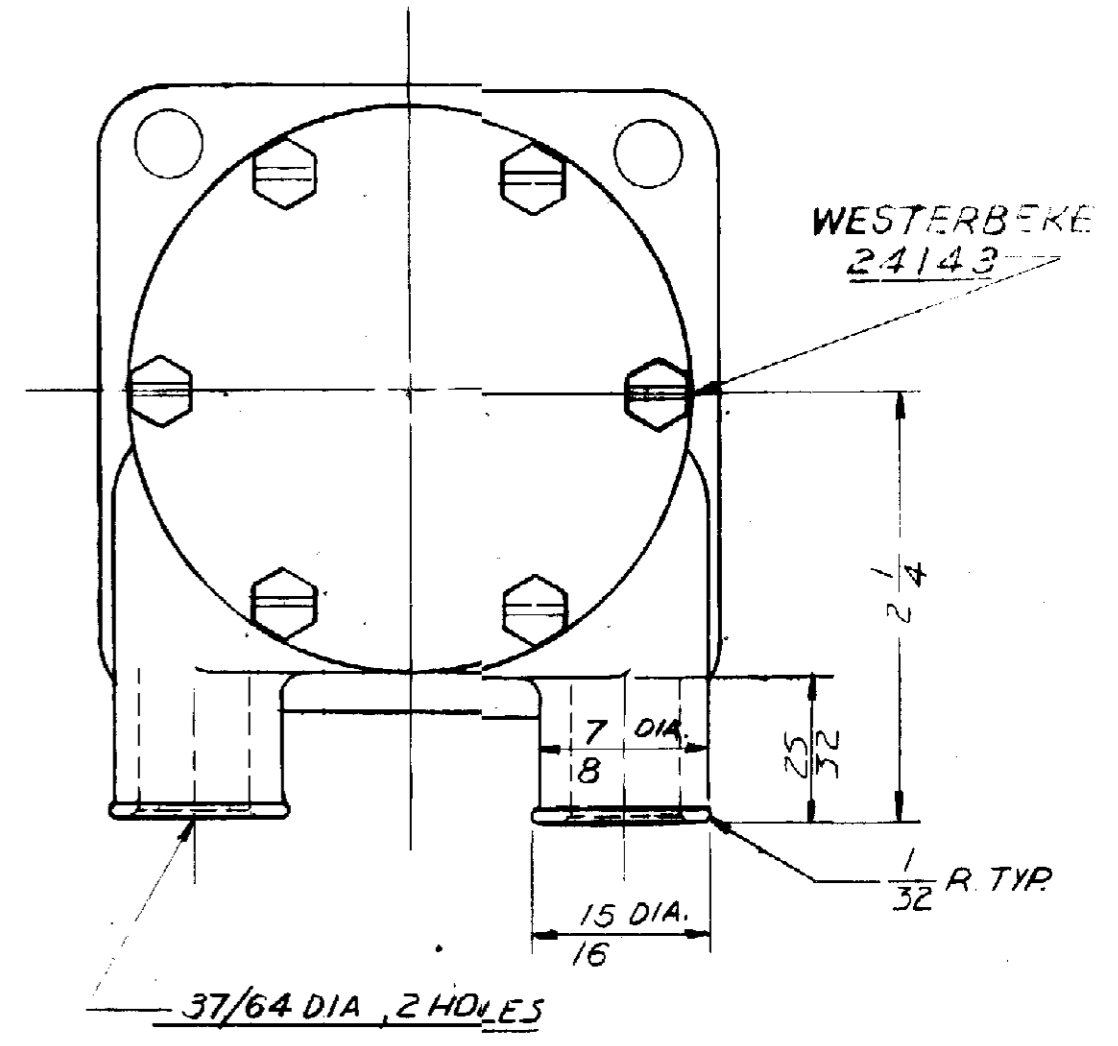
N° 17860 CARTON 1REQ'D  
 17611 JIFFY BAG 1REQ'D  
 12209 LABEL 1REQ'D



FREE FLOW CAPACITY MIN.  
6.2 GPM @ 3000 RPM



PUT LUBRIPLATE ON LIP OF SEAL ONLY



CURVE N° 79013R

UNLESS OTHERWISE SPECIFIED  
 TOLERANCE TO BE  
 CAST DIMENSION FRACTIONAL ±.020  
 MACHINED DIMENSION: DECIMAL  
 .01 = ± .010  
 .001 = ± .005  
 ANGLES ± 1/2°  
 MACHINED SURFACE ROUGHNESS  
 ALLOW 1/16 STOCK ON ALL FINISHED SURFACES FOR MACHINING.  
 BREAK ALL SHARP EDGES .010 MAX  
 CAST. FILLS AND RADI 1/16 R

REV	DESCRIPTION	CHK	DATE
E	10285 WAS 10282	ML	7/18/88
D	WAS N° 344 SCREW	AVS	3/2/88
C	N° 12863 RETAINING RINGS ADDED	AVS	1/1/88
B	DWGS. REVISED PER DWG N° 24150	AVS	11/1/87
A	DWG. REVISED PER WESTERBEKE	AVS	10/2/87

**SHERWOOD**  
A DIVISION OF INTRAC CORPORATION  
10000 WILSON AVE., NEWPORT, MICHIGAN 48166

DRAFTSMAN	DATE	CHECKER	DATE	APPROVED
A. U. B.	10/9/79			284

TITLE: RUBBER IMPELLER PUMP ASS'Y

MATERIAL: SEE DETAILS

DWG NO: H-70