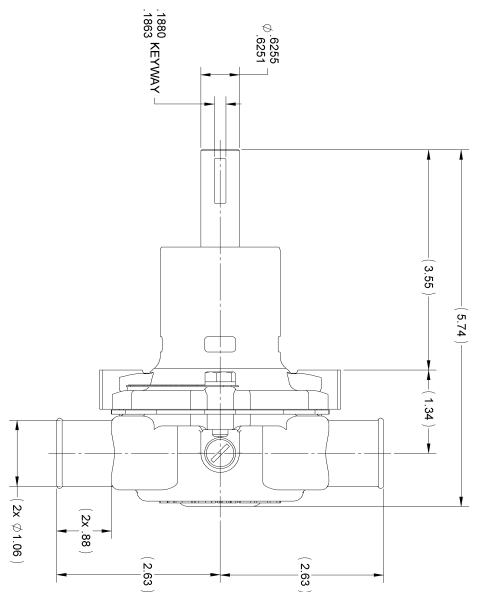
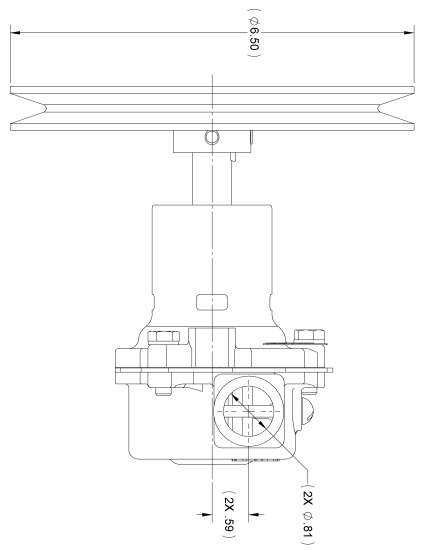
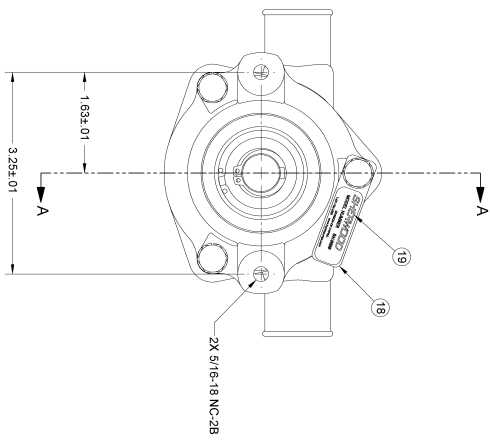
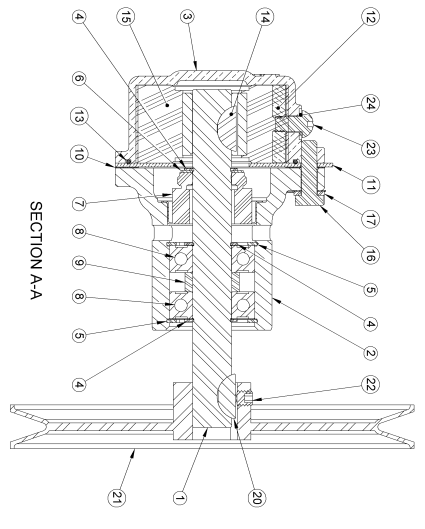


ITEM NO.	PART NUMBER	DESCRIPTION	QTY.
1	13274	SHAFT	1
2	13274	BODY HOUSING	1
3	13293	EXT. RETAINING RING	3
4	04289	INT. RETAINING RING	2
5	04289	TYPE 6A SEAL/SEAT ASSY	2
6	12214	BALL BEARING	2
7	12211	SPACER	1
8	05153	WASHER	1
9	12856	WASHER	1
10	12856	WASHER	1
11	15693	CAM	1
12	12231	O-RING	1
13	04482	WOODRUFF KEY	1
14	12887	1/4-20 HHCS	3
15	12710	LOCKWASHER	3
16	13385	TAG	1
17	23093	IMPELLER LABEL	1
18	13429	PULLEY ASSEMBLY	1
19	13429	SET SCREW 1/4-20 UNC	1
20	19995	SCREW 1/4-20 ROUND HD	1
21	19995	CAM WASHER	1
22	19995	CAM WASHER	1
23	19995	CAM WASHER	1
24	19995	CAM WASHER	1

- NOTES:
1. APPLY BEAD OF PERMATEX AROUND THREADED HOLE IN CAM, PRIOR TO ASSEMBLY, ITEM 12.
 2. USE WATER ONLY WHEN INSTALLING.
 3. USE COOLANT TO AID IN INSTALLATION OF RUBBER IMPELLER, ITEM 15.
 4. TORQUE 1/4-20 HHCS TO 3 - 8 FT/LBS. ITEM 16.
 5. INSTALL PULLEY ASSY, ITEM 21, IN GENERAL LOCATION OVER KEY AND HAND TIGHTEN SET SCREW, ITEM 22. CUSTOMER WILL FINALIZE LOCATION OF PULLEY ASSY.
 6. PRESSURE TEST PUMP TO 20 - 30 PSI.
 7. PRINT ON LABEL, ITEM 19.
- DATE CODE: J70



REV	DATE	DESCRIPTION	BY	CHKD
1	07/20/99	REWORKED FOR BALL BEARING CONSIDERATION	WJ	WJ
2	07/20/99	REWORKED FOR BALL BEARING CONSIDERATION	WJ	WJ
3	07/20/99	REWORKED FOR BALL BEARING CONSIDERATION	WJ	WJ
4	07/20/99	REWORKED FOR BALL BEARING CONSIDERATION	WJ	WJ
5	07/20/99	REWORKED FOR BALL BEARING CONSIDERATION	WJ	WJ
6	07/20/99	REWORKED FOR BALL BEARING CONSIDERATION	WJ	WJ
7	07/20/99	REWORKED FOR BALL BEARING CONSIDERATION	WJ	WJ
8	07/20/99	REWORKED FOR BALL BEARING CONSIDERATION	WJ	WJ
9	07/20/99	REWORKED FOR BALL BEARING CONSIDERATION	WJ	WJ
10	07/20/99	REWORKED FOR BALL BEARING CONSIDERATION	WJ	WJ
11	07/20/99	REWORKED FOR BALL BEARING CONSIDERATION	WJ	WJ
12	07/20/99	REWORKED FOR BALL BEARING CONSIDERATION	WJ	WJ
13	07/20/99	REWORKED FOR BALL BEARING CONSIDERATION	WJ	WJ
14	07/20/99	REWORKED FOR BALL BEARING CONSIDERATION	WJ	WJ
15	07/20/99	REWORKED FOR BALL BEARING CONSIDERATION	WJ	WJ
16	07/20/99	REWORKED FOR BALL BEARING CONSIDERATION	WJ	WJ
17	07/20/99	REWORKED FOR BALL BEARING CONSIDERATION	WJ	WJ
18	07/20/99	REWORKED FOR BALL BEARING CONSIDERATION	WJ	WJ
19	07/20/99	REWORKED FOR BALL BEARING CONSIDERATION	WJ	WJ
20	07/20/99	REWORKED FOR BALL BEARING CONSIDERATION	WJ	WJ
21	07/20/99	REWORKED FOR BALL BEARING CONSIDERATION	WJ	WJ
22	07/20/99	REWORKED FOR BALL BEARING CONSIDERATION	WJ	WJ
23	07/20/99	REWORKED FOR BALL BEARING CONSIDERATION	WJ	WJ
24	07/20/99	REWORKED FOR BALL BEARING CONSIDERATION	WJ	WJ

SHERWOOD
 A Division of Ingersoll Rand
 3075 River Road, Northbrook, IL 60062-1000
 (708) 441-1000
 FAX (708) 441-1001
 WWW.INGERSOLL-RAND.COM

RUBBER IMPELLER PUMP ASSY

DATE: 07/20/99
 DRAWN BY: WJ
 CHECKED BY: WJ
 APPROVED BY: WJ
 DATE: 07/20/99

SCALE: 1:1
 SHEET NUMBER: 1 OF 1

REVISIONS:

REWORKED FOR BALL BEARING CONSIDERATION

DATE: 07/20/99

BY: WJ

CHKD: WJ

APP'D: WJ

DATE: 07/20/99