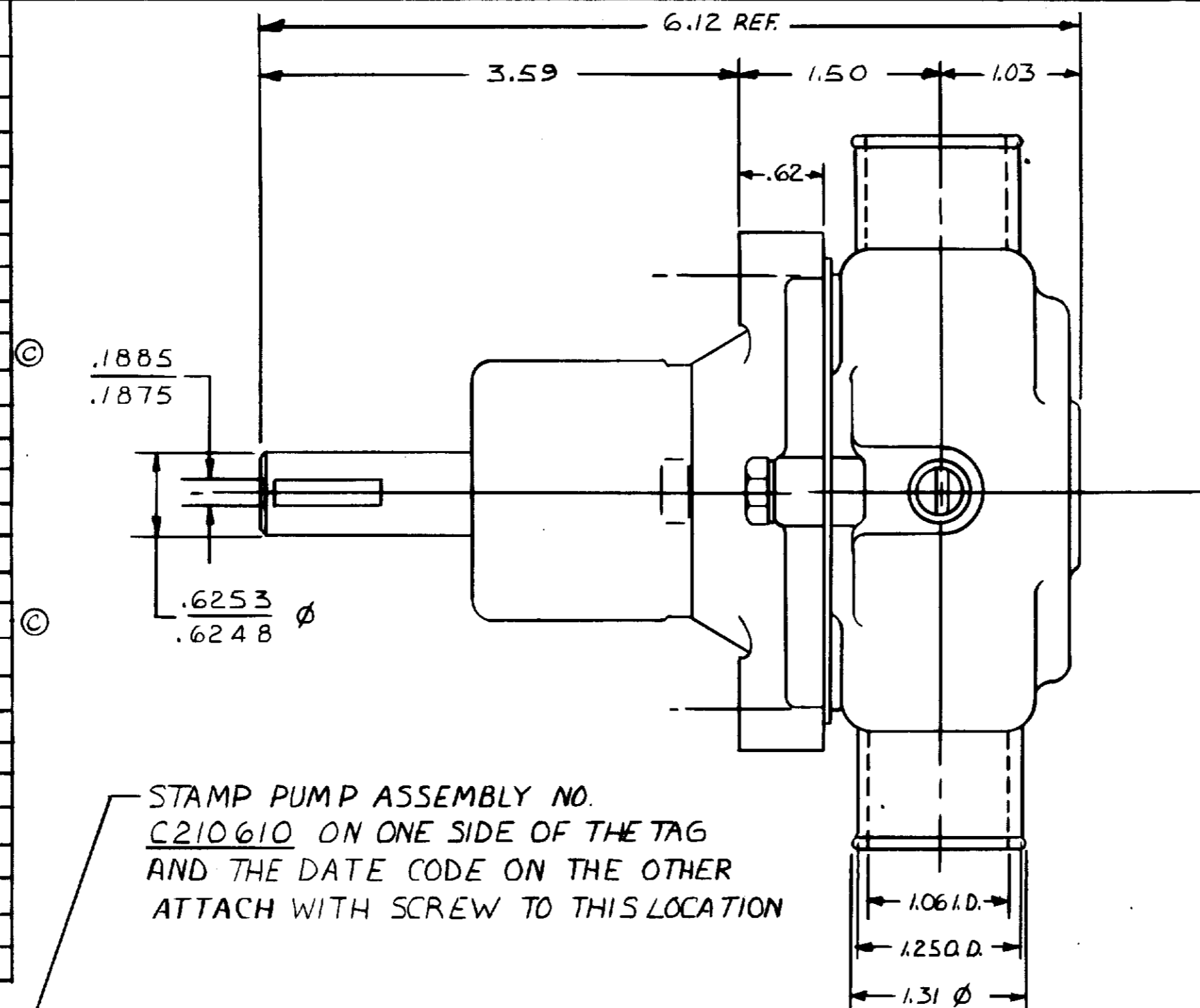


PARTS LIST

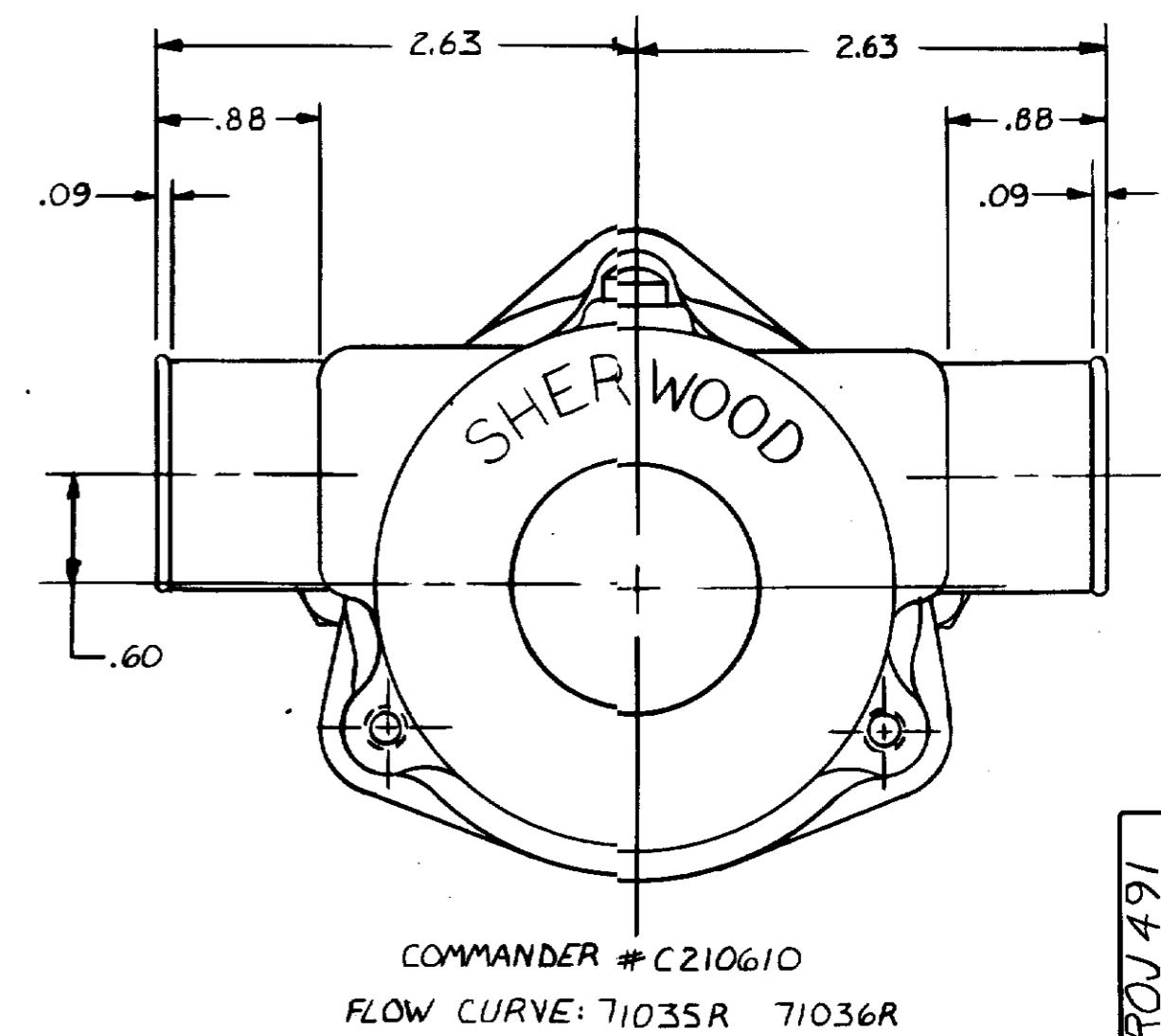
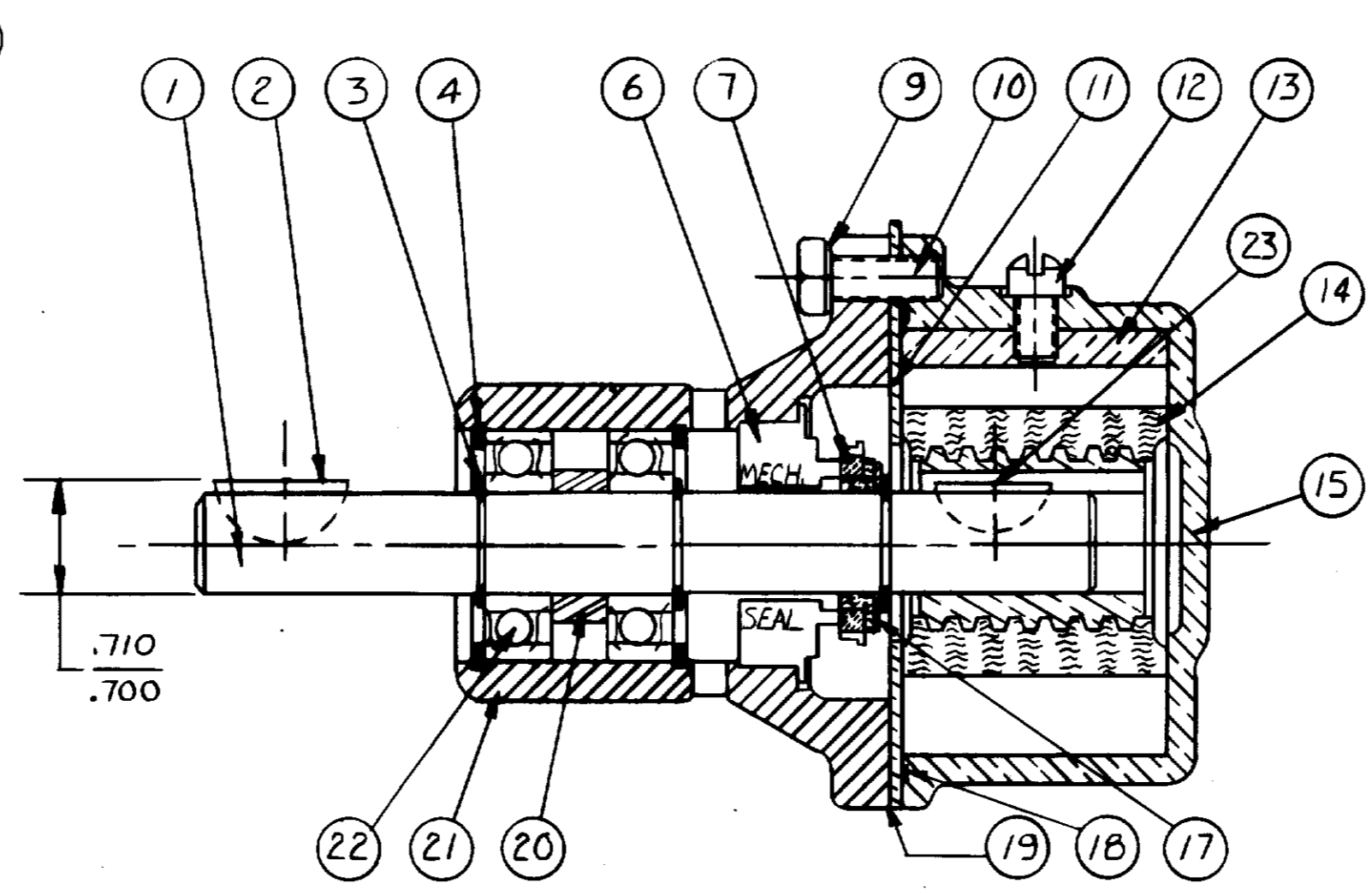
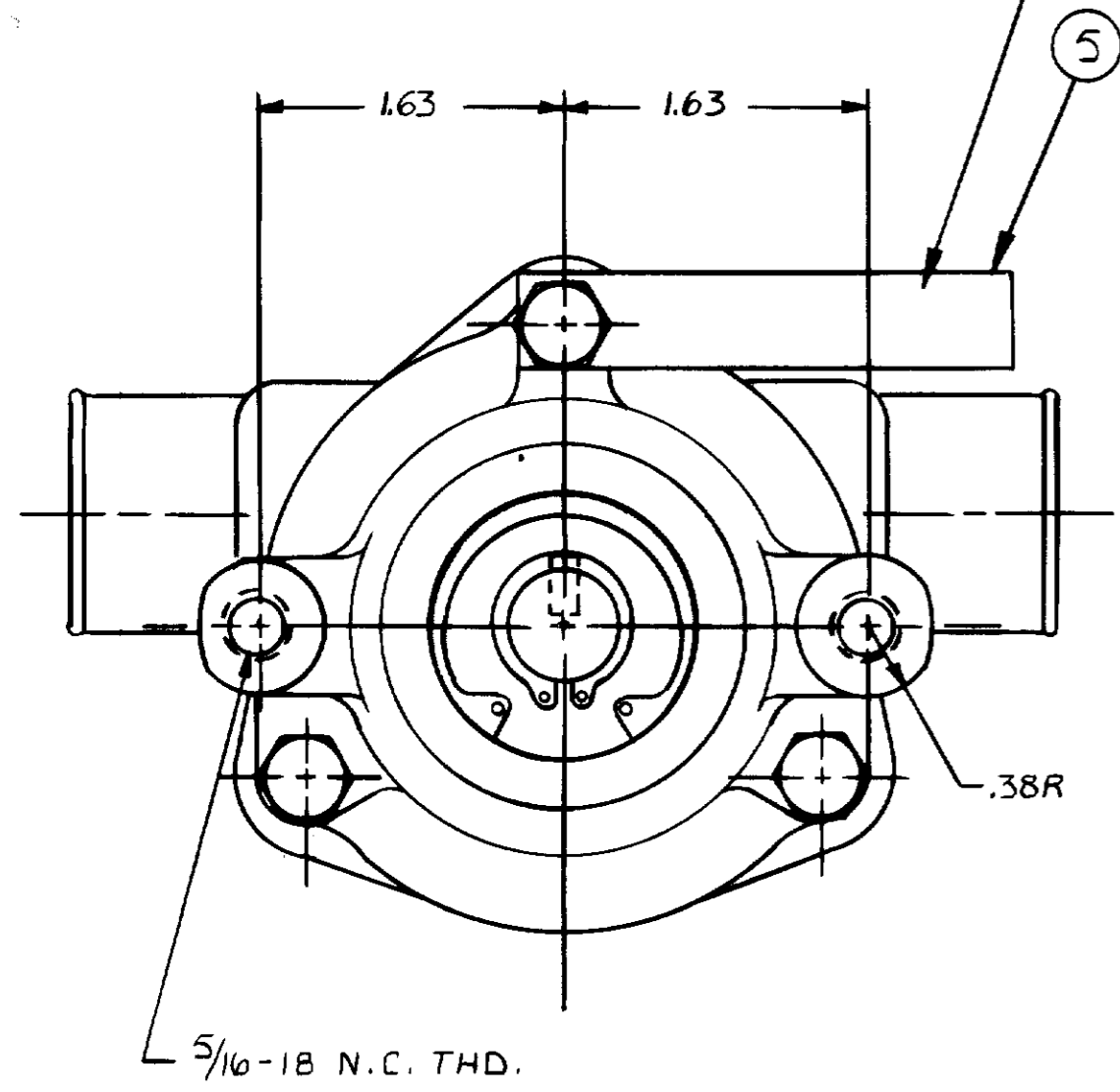
ITEM	PART NO.	DESCRIPTION	REQ'D
1	13274	SHAFT	1
2	12622	NO. 9 NON-ROK KEY	1
3	4258	RET. RING EXT.	3
4	4259	RET. RING INT.	2
5	13828	TAG - PART NO.	1
6	12314	MECH SEAL	1
7	12256	SEAL SEAT	1
8	13429	PULLEY ASSEMBLY	1
9	12710	V4 LIGHT LOCK WASHER	3
10	12857	CAPSCREW 1/4-20x3/4	3
11	12856	END PLATE	1
12	10515	SCREW 1/4-20x3/8	1
13	10944	CAM (.187)	1
14	10615	IMPELLER	1
15	12228	HOUSING	1
16	12331	SETSCREW, 1/4-20x5/16	1
17	4264	THRUST WASHER	1
18	12231	O RING	1
19	12855	GASKET	1
20	5133	SPACER BRG.	1
21	12328	BODY	1
22	12211	BALL BRG.	2
23	4432	NO. 9 WOODRUFF KEY	1



STAMP PUMP ASSEMBLY NO. C210610 ON ONE SIDE OF THE TAG AND THE DATE CODE ON THE OTHER ATTACH WITH SCREW TO THIS LOCATION

SERVICE ASS'Y NO.'S	COMPONENT ITEM NO.'S	L80
SEAL & SEAT ASSY NO. 12859	617	
MAJOR REPAIR KIT NO. 12794		
MINOR REPAIR KIT NO. 12394		

PACKAGING:
 No 17659 CARTON Y 1 REQ'D
 12209 LABEL 1 REQ'D
 17653 JIFFY BAG 1 REQ'D



REV.	DESCRIPTION	APPR	DATE
D	12859 WAS 12322	SH	7/5/90
C	ITEMS 8 (13429) & 16 (12331) ADDED	AV	8/27/89
B	REDRAWN WITHOUT CHANGE	KB	12/3/86

UNLESS OTHERWISE SPECIFIED
 CAST DIMENSIONS ± .02
 FILLETS & RADII .06
 FINISH STOCK .07
 MACHINING TOLERANCE, INCHES
 XX ± .01, XXX ± .005
 SURFACE ROUGHNESS
 ANGLES ± 0° 30'
 CORNER BREAKS .01 MAX.
 PARALLISM .001
 FLATNESS .001
 SQUARENESS .001
 CONCENTRICITY .001
 ROUNDNESS .0002
 RUNOUT .001

SHERWOOD
 A DIVISION OF HYPRO CORPORATION
 6331 E. JEFFERSON AVE. • DETROIT, MICHIGAN 48207

DRAFTSMAN	DATE	CHECKER	DATE	ASSY NO.
R.I.		R.B.M	4-4-83	

TITLE: PUMP ASSEMBLY - RUBBER IMPELLER
 MATERIAL: SEE DETAILS
 DWG. NO. L80

PROJ 491