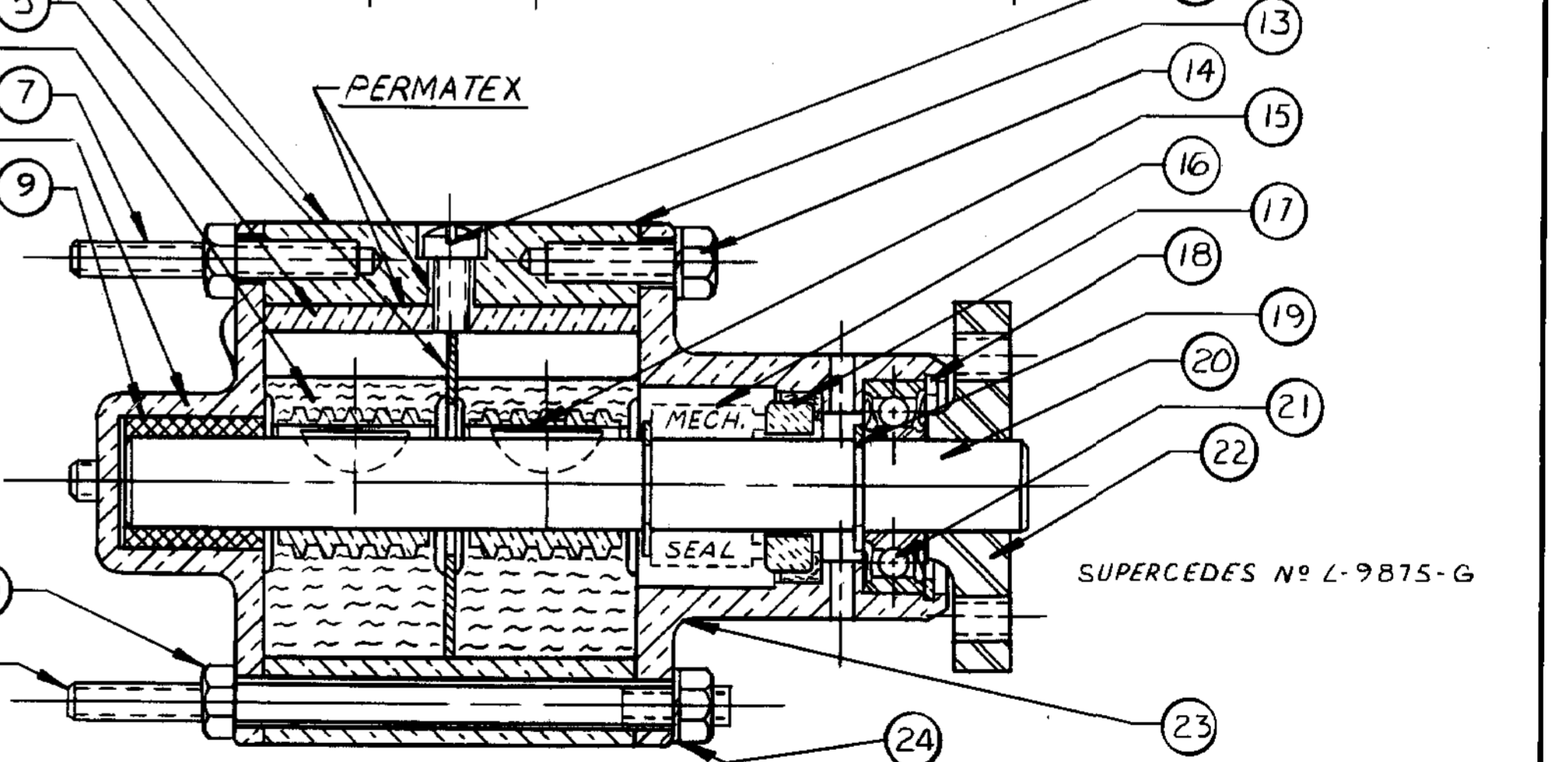
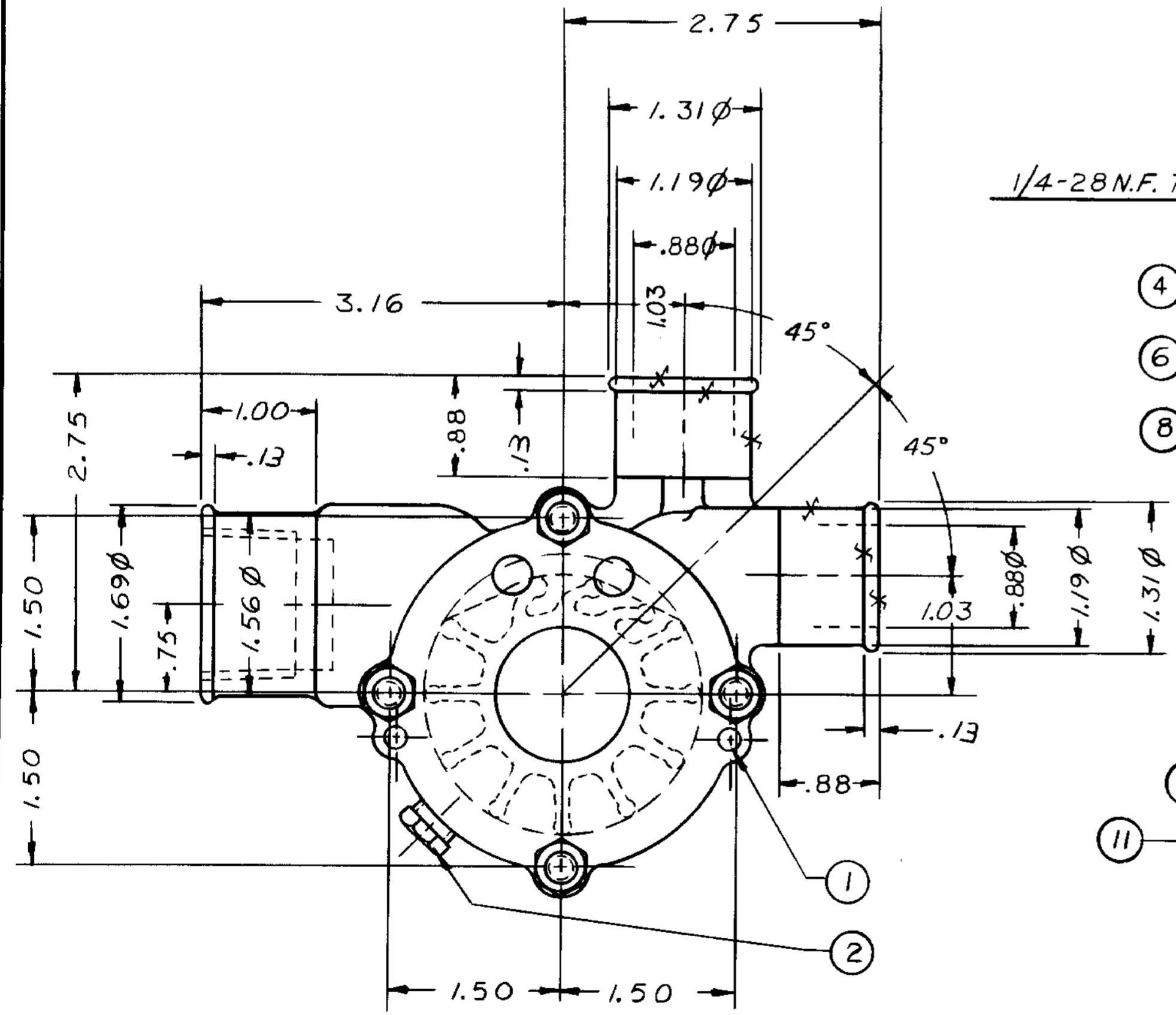
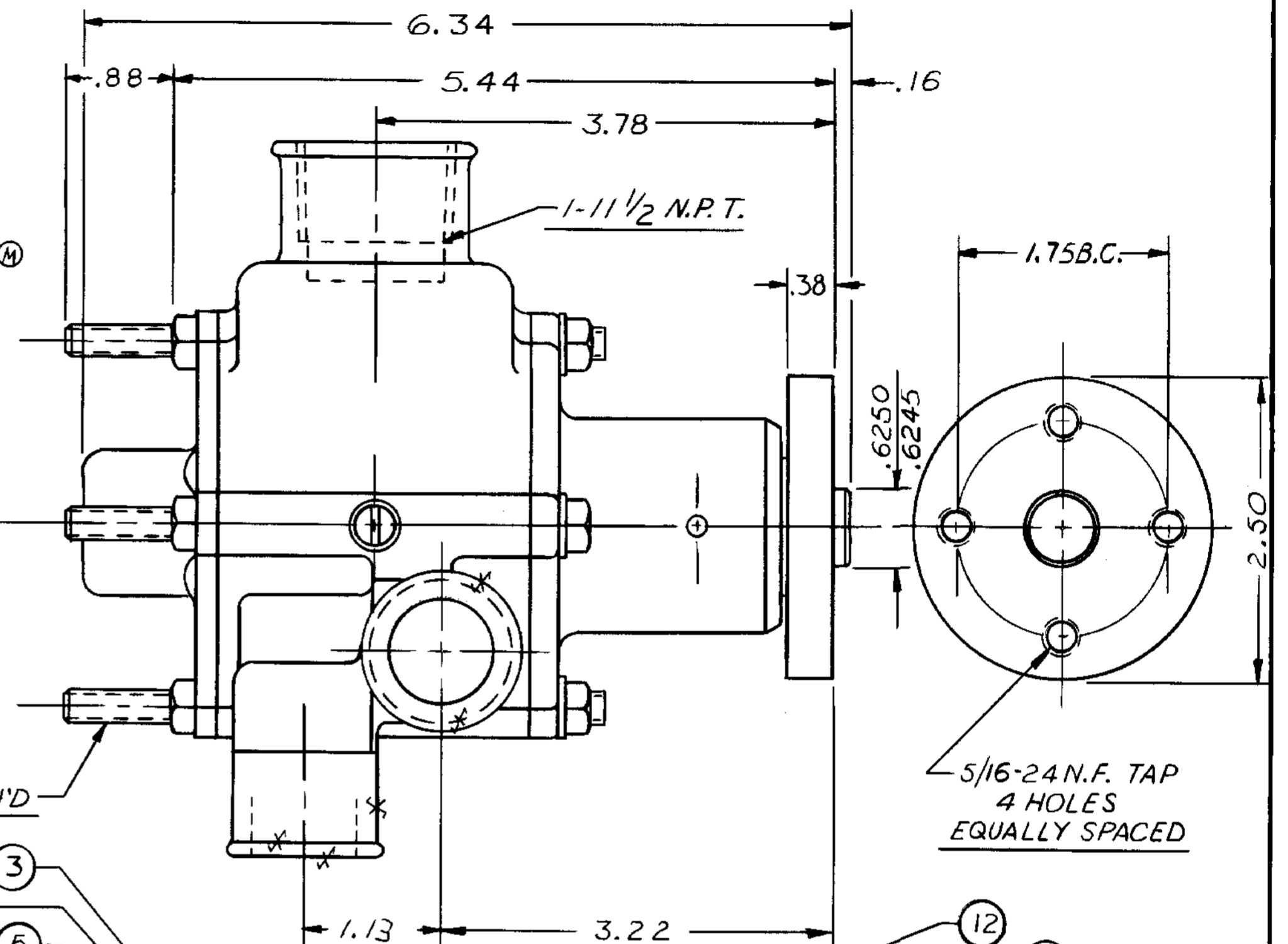


PARTS LIST

ITEM	PART N°	DESCRIPTION	QTY.	ITEM	PART N°	DESCRIPTION	QTY.
1	413	DOWEL PIN 3/16 X 1/2	4	17	10389	SEAL SEAT	1
2	336	PLUG 1/8NPT X 3/8	1	18	4259	INT. RETAINING RING	1
3	10259	HOUSING	1	19	4258	EXT. RETAINING RING	2
4	9958	SPACER PLATE	1	20	10266	SHAFT	1
5	10071	CAM	1	21	4257	BALL BEARING	1
6	9959	IMPELLER	2	22	9824	HUB	1
7	10267	SPECIAL STUD	1	23	10073	BODY	1
8	10094	COVER	1	24	P-1210	LOCK WASHER	4
9	6333-G	BUSHING	1	25	17659	CARTON	1
10	3388	NUT 1/4-28 X 7/32	7	26	12209	LABEL	1
11	9858	STUD 1/4-28 X 4-7/16	3	1(4) & 3	10265	HOUSING ASS'Y	SERV.
12	9919	SCREW 1/4-20 X 1/2	1	B & 9	10096	COVER ASS'Y	SERV.
13	10103	.006 GASKET	2	16 & 17	10545	SEAL & SEAT ASS'Y	SERV.
14	10268	HX. HD. CAPSCREW	1		12241	MAJOR REPAIR KIT	SERV.
15	4432	KEY - N° 9	2		10687	MINOR REPAIR KIT	SERV.
16	18743	MECHANICAL SEAL	1	27	17653	JIFFY BAG N° 4	1



CLOCKWISE (STANDARD) ROTATION
 CAPACITY
 6.0 GALLONS PER MINUTE
 EACH PORT @ 1000 R.P.M.

UNLESS OTHERWISE SPECIFIED		SHERWOOD A DIVISION OF HYPRO CORPORATION 6331 E. JEFFERSON AVE. • DETROIT, MICHIGAN 48207	
CAST DIMENSIONS ± .02	FILLETS & RADII .06	DRAFTSMAN	DATE
FINISH STOCK .07	MACHINING TOLERANCE, INCHES	AVB	11-20-59
XX ± .01, XXX ± .005	SURFACE ROUGHNESS	CHECKER	DATE
ANGLES ± 0° 30'	CORNER BREAKS .01 MAX.	WJF	11-20-59
PARALLISM .001	FLATNESS .001	TITLE	
SQUARINESS .001	CONCENTRICITY .001	MARINE WATER PUMP ASS'Y	
ROUNDNESS .0002	RUNOUT .001	MATERIAL	DWG. NO.
		SEE DETAILS	M-10280-G

REV.	DESCRIPTION	APPR.	DATE
M	17659 WAS 17636	SH	9/15/89
L	REDRAWN WITHOUT CHANGE	KB	11-6-87