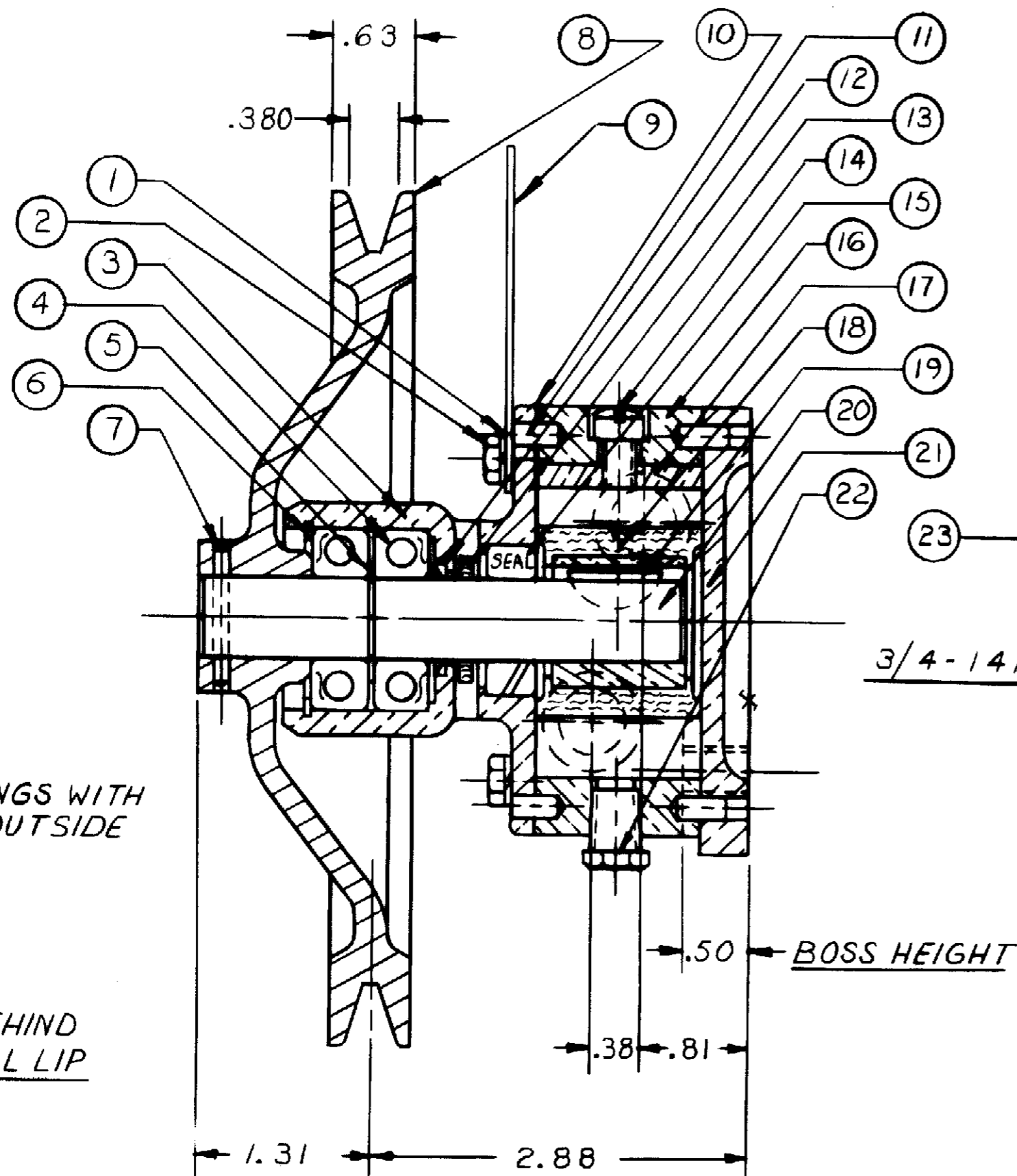


PARTS LIST

ITEM	PART NO	DESCRIPTION	QTY	ITEM	PART NO	DESCRIPTION	QTY
1	343	LOCK WASHER	12	16	10499	HOUSING	1
2	8296	HX. HD. SCREW	6	17	10072	CAM	1
3	10509	BODY	1	18	9959	IMPELLER	1
4	4257	BALL BEARING	2	19	4432	N#9 WOODRUFF KEY	1
5	5328	EXT. RETAIN. RING	1	20	10506	SHAFT	1
6	4259	INT. RETAIN. RING	1	21	10508	COVER	1
7	6809	GROOVE PIN	1	22	336	DRAIN PLUG	2
8	10511	PULLEY	1	23	11132	SCREW	6
9	13285	TAG	1	24	17636	CARTON	1
10	10512	GASKET	2	25	14486	JIFFY BAG	1
11	1311	DOWEL PIN	4	26	12209	LABEL	1
12	10513	OIL SEAL	1	11(4) 16	10507	HOUSING ASSY	SERV.
13	9021	SLINGER	1		12250	MAJOR REPAIR KIT	SERV.
14	10515	SCREW	1		12815	MINOR REPAIR KIT	SERV.
15	10514	LIP SEAL	1				

STAMP ASS'Y N#10470
AND DATE CODE ON
TAG ATTACH WITH
SCREW.

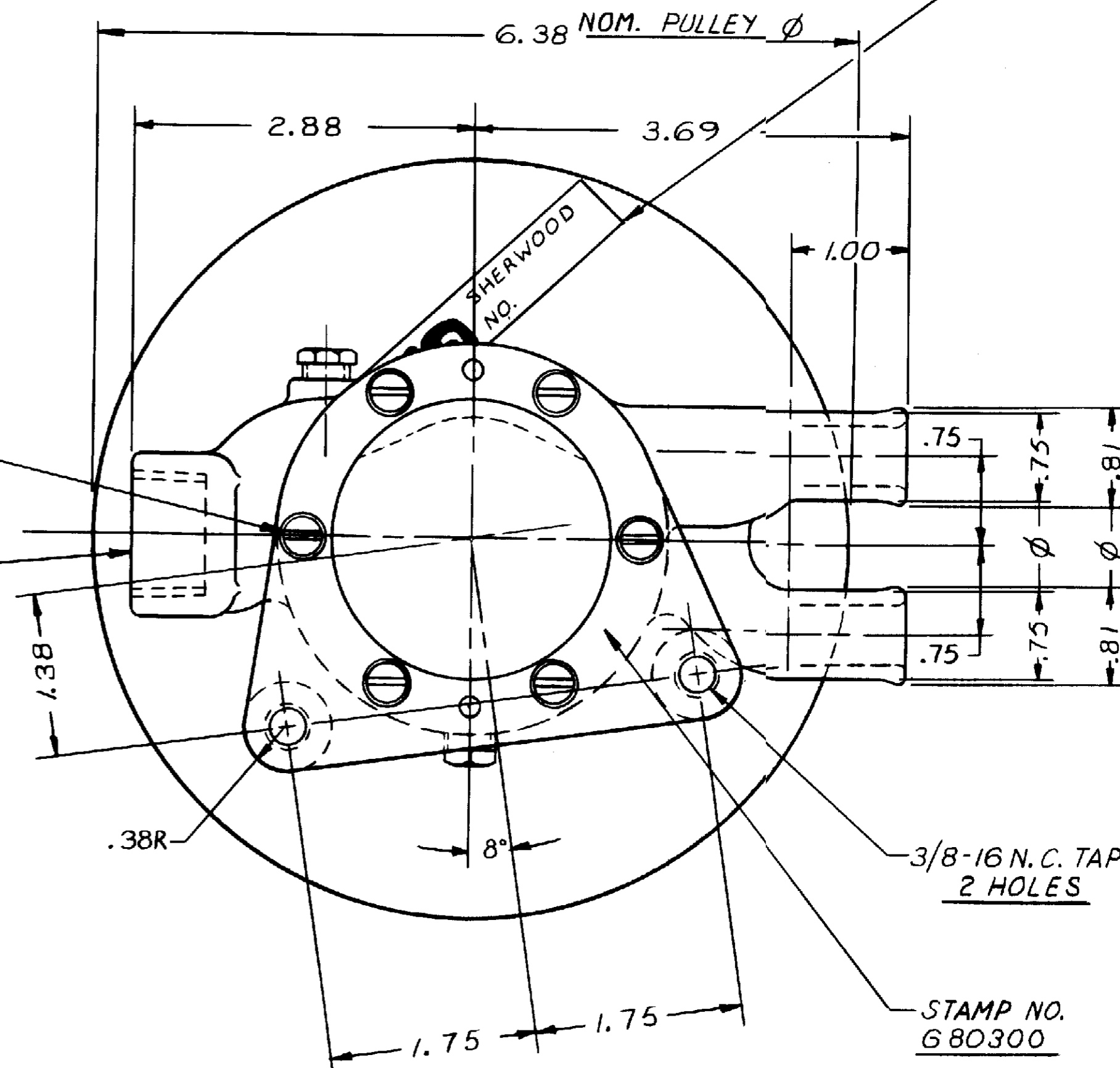
CLOCKWISE ROTATION
(FROM DRIVE END)



ASSEMBLE BEARINGS WITH
SEALS TO THE OUTSIDE
AS SHOWN

GREASE PACK BEHIND
BEARING AT SEAL LIP

CAPACITY
3.0 G.P.M. EACH PORT
@ 1000 R.P.M.



3/4-14 N.P.T.

3/8-16 N.C. TAP
2 HOLES

STAMP NO.
680300

UNLESS OTHERWISE SPECIFIED		SHERWOOD A LEAR SIEGLER COMPANY	
CAST DIMENSIONS ± .02		6331 E. JEFFERSON AVE. • DETROIT, MICHIGAN 48207	
FILLETS & RADII .06		DRAFTSMAN DATE CHECKER DATE ASSY NO.	
FINISH STOCK .07		A.V.B. 10-11-60 WJF 10-12-60	
MACHINING TOLERANCE, INCHES		TITLE	
XX ± .01, XXX ± .005		IMPELLER PUMP ASS'Y	
SURFACE ROUGHNESS		MATERIAL	
ANGLES ± 0° 30'		DWG. NO.	
CORNER BREAKS .01 MAX.		SEE DETAILS N-10470	
PARALLISM .001			
FLATNESS .001			
SQUARNESS .001			
CONCENTRICITY .001			
ROUNDNESS .0002			
RUNOUT .001			
J REDRAWN WITHOUT CHANGE	KB 11-17-81		
REV.	DESCRIPTION	APPR	DATE