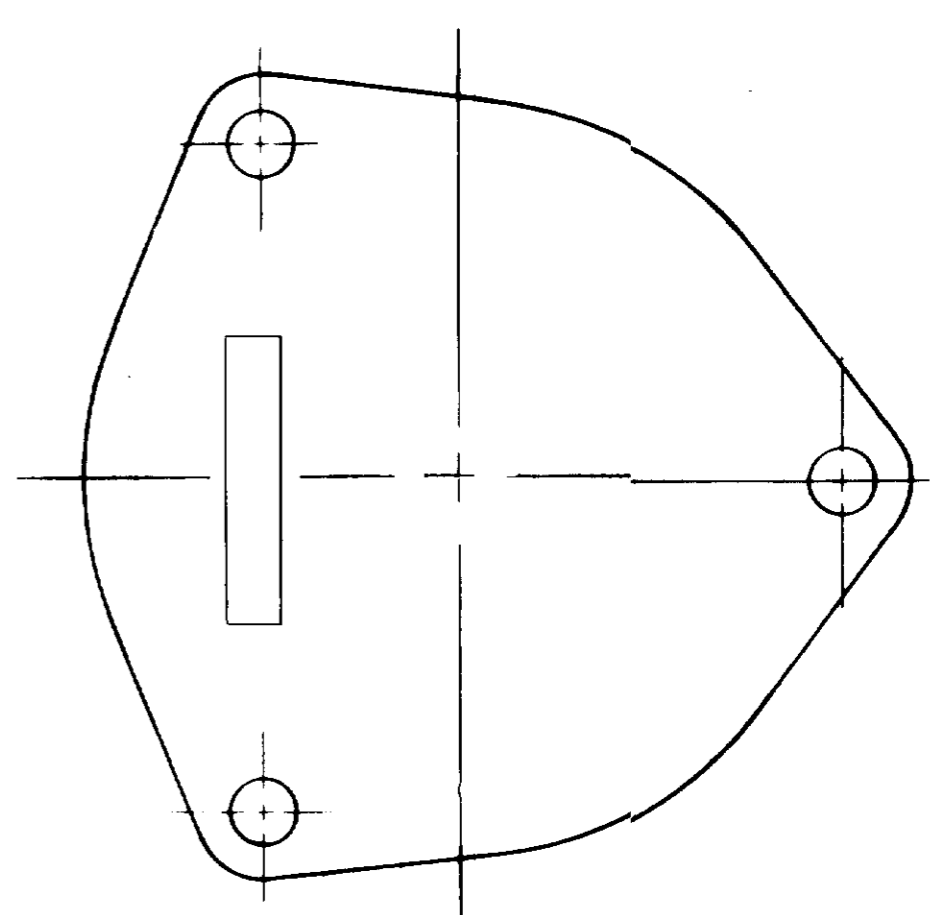
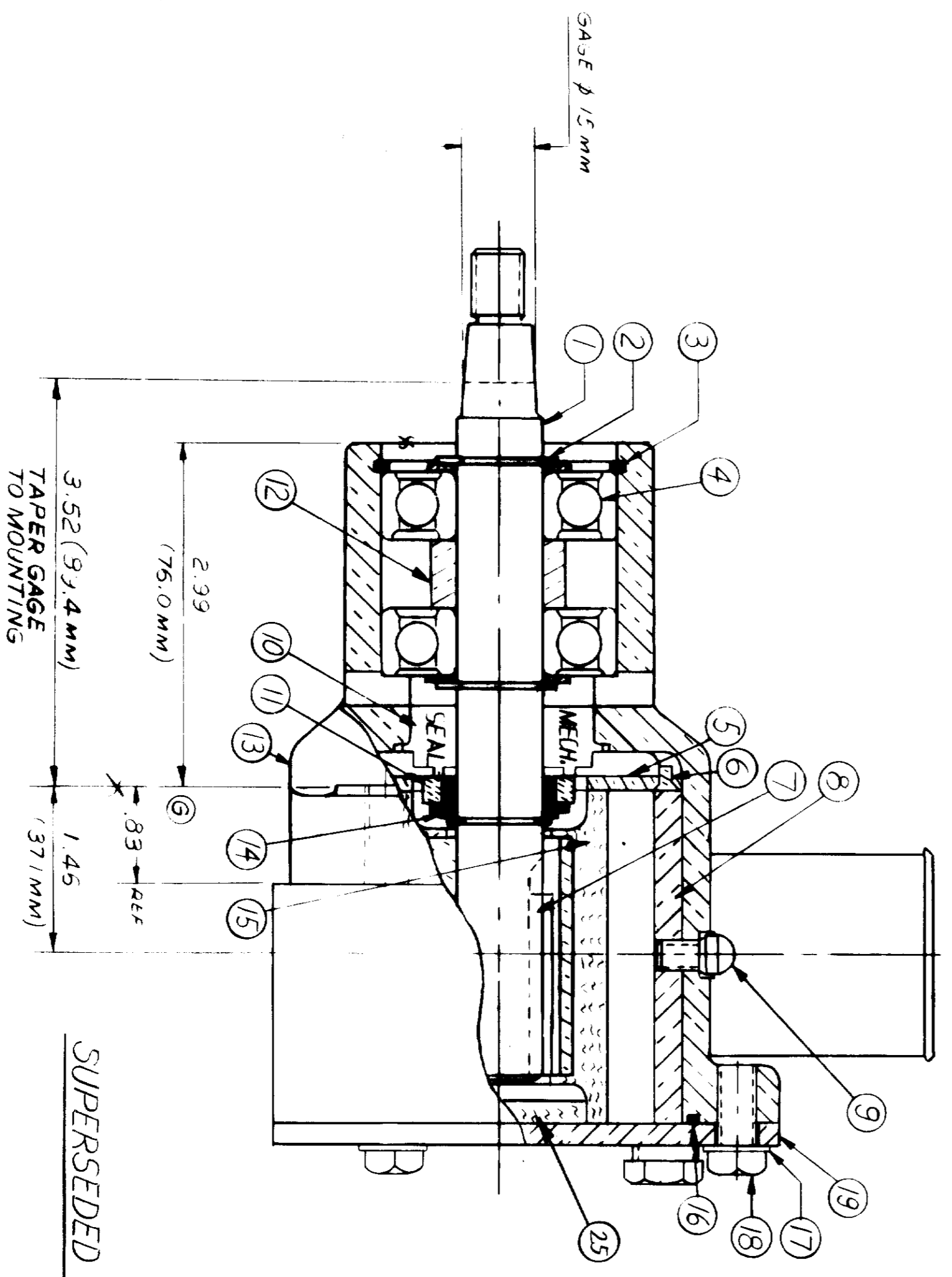
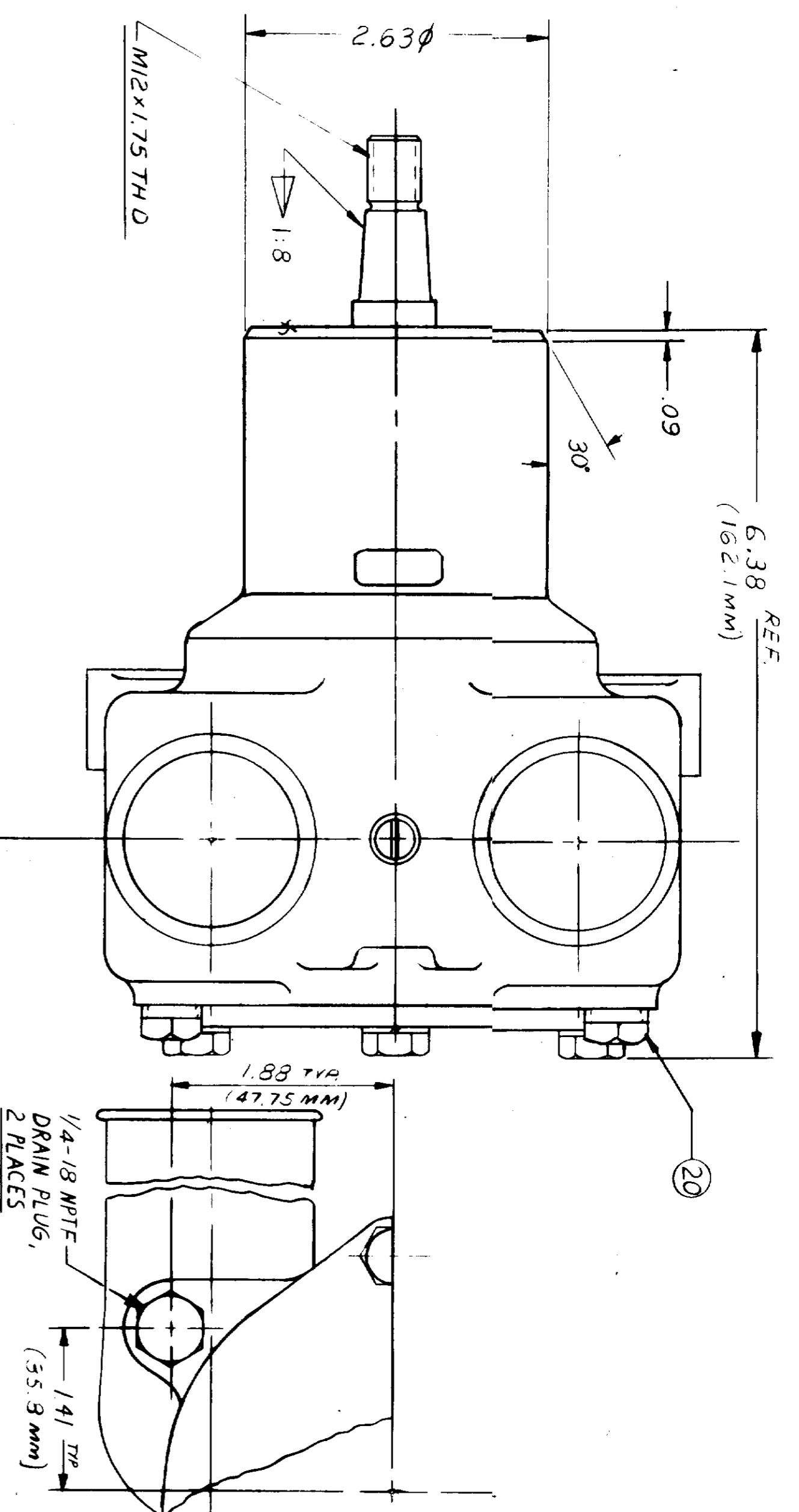
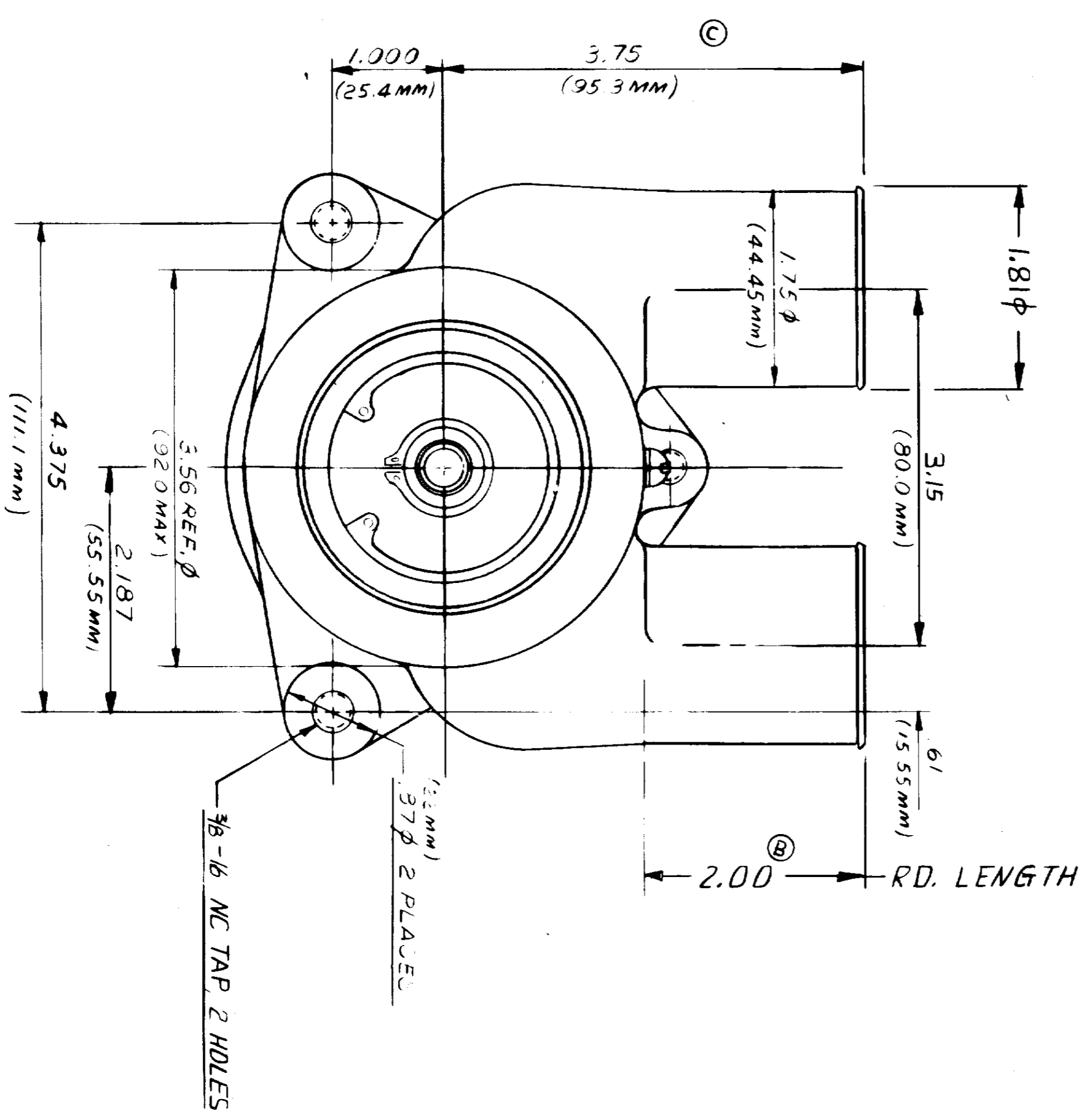


PARTS LIST			CATERPILLAR
ITEM	DESCRIPTION	REQD.	PART NO.
1	SHAFT	1	16045 7E0316
2	EXT. RET. RING	3	15952 4M7651
3	INT. RET. RING	1	15942 5F5078
4	BALL BEARING	2	15951 8H4320
5	END PLATE	1	16047
6	END PLATE PIN	1	18442
7	KEY	1	19209
8	CAM	1	18271 7E0319
9	CAM SCREW	1	10515 7E0327
10	MECH. SEAL	1	15954
11	SEAL SEAT	1	15953
12	SPACER	1	15940 7E0345
13	HOUSING	1	18387
14	FLAT WASHER	3	15959 7E0325
15	RUBBER IMPELLER	1	17000 7E0321
16	O-RING	1	15945 5P2931
17	5/16 LOCK WASHER	3	15944 9M1974
18	5/16 HEX. CAPSCREW	3	16029 8T9043
19	COVER PLATE	1	18625 7E0317
20	DRAIN PLUG HEX.	2	339 5B7890
21	SEAL & SEAT ASSY	SERVICE	15955 7E0322
22	PN- END PLATE ASSY	SERVICE	18441 7E0328
23	MINOR SERVICE KIT	SERVICE	18284
24	MAJOR SERVICE KIT	SERVICE	18285
25	RUBBER CAP	1	19210



VIEW OF COVER PLATE



SUPERSEDED BY № P176

REV	DESCRIPTION	DATE	BY	CHKD
1	19210 CAP ADDED			
I	19209 WAS 15948			
H	CATERPILLAR ASSY AND PARTS LIST			
G	MOUNTING FLANGE RELOCATED			
F	15955 MINOR SERVICE KIT ADDED			
E	15954 MINOR SERVICE KIT ADDED			
D	18271 WAS 18488			
C	3.75 WAS 3.25			
B	2.00 WAS 1.50			
A	SHAFT- END TAPER WAS STRAIGHT			

UNLESS OTHERWISE SPECIFIED	SH 7/16/60
FINISH STOCK	SH 1/16/60
FINISH STOCK	SH 1/16/60
MACHINING TOLERANCE	XX - 01 XXX + 006
ANGLE	XX - 01 XXX + 006
CORNER BREAKS	01 MAX
FLATNESS	001
SQUARENESS	001
CONCENTRICITY	001
ROUNDNESS	002
RINOUT	001

SHERWOOD	
A LEARN SHELTER COMPANY	
DESIGNED BY	DATE
2-24-68	6-1-71
TITLE	
RUBBER IMPELLER PUMP ASSY	
MATERIAL	
SEE DETAIL	
DWG NO.	P171

CATERPILLAR # 9Y1304