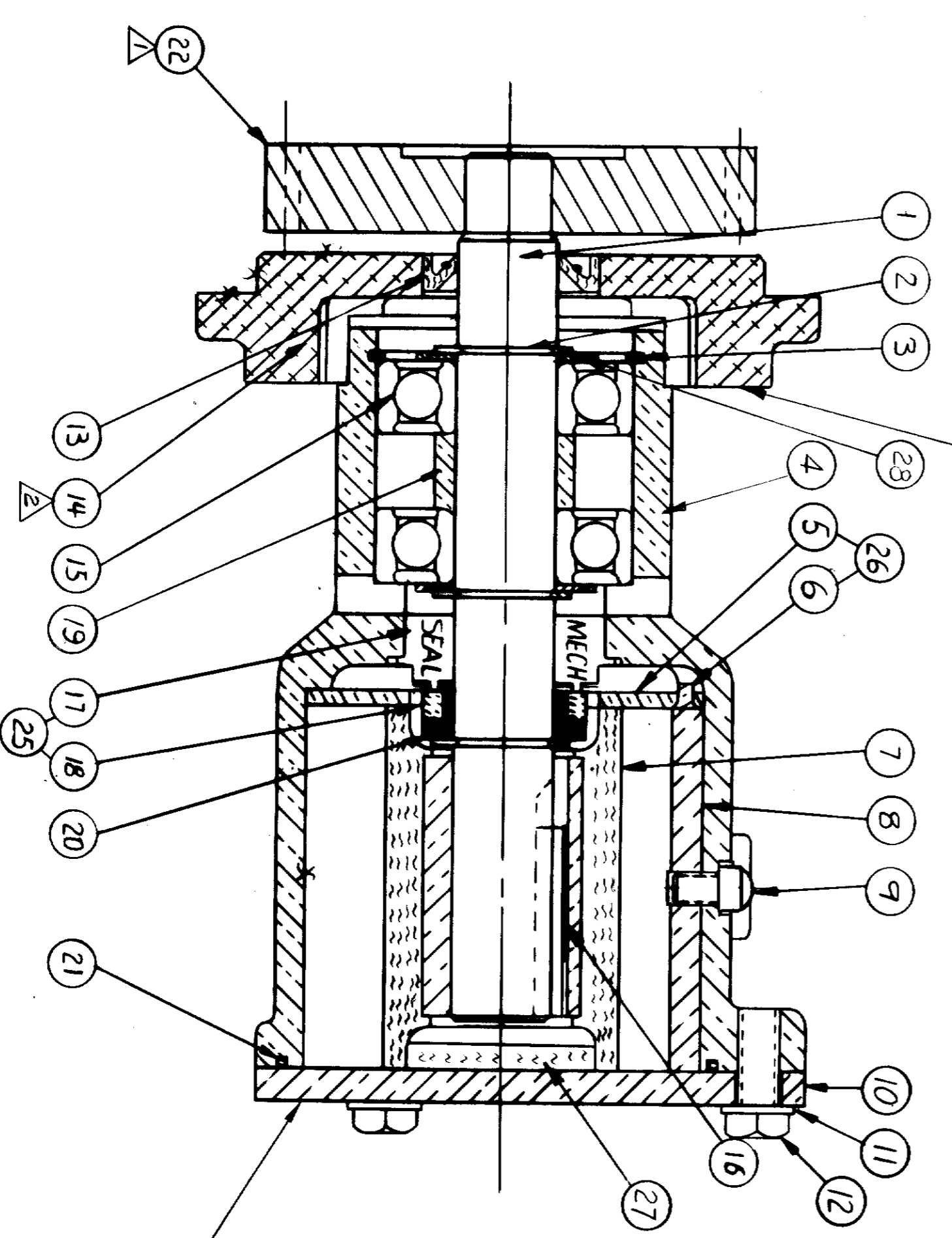
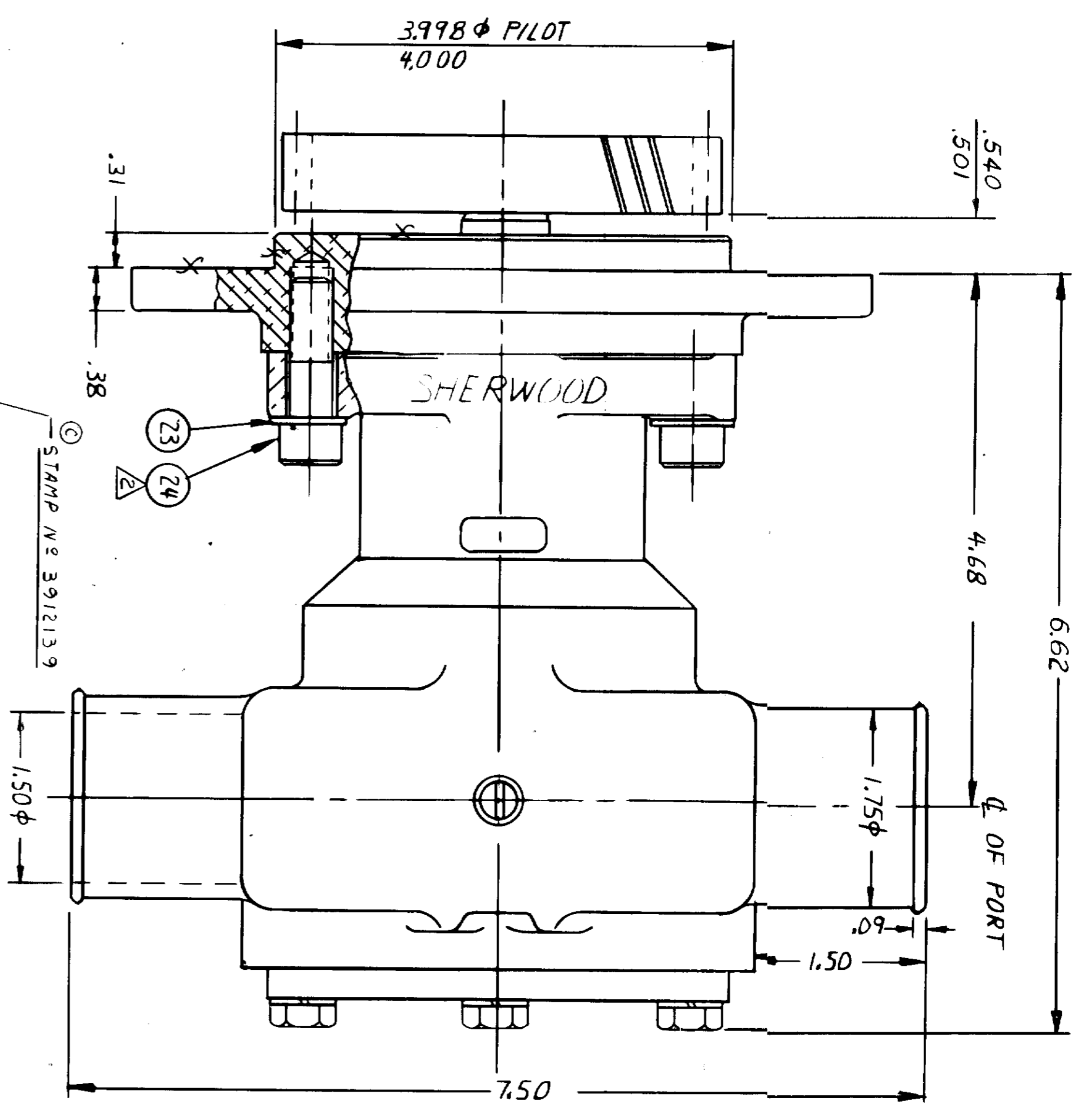
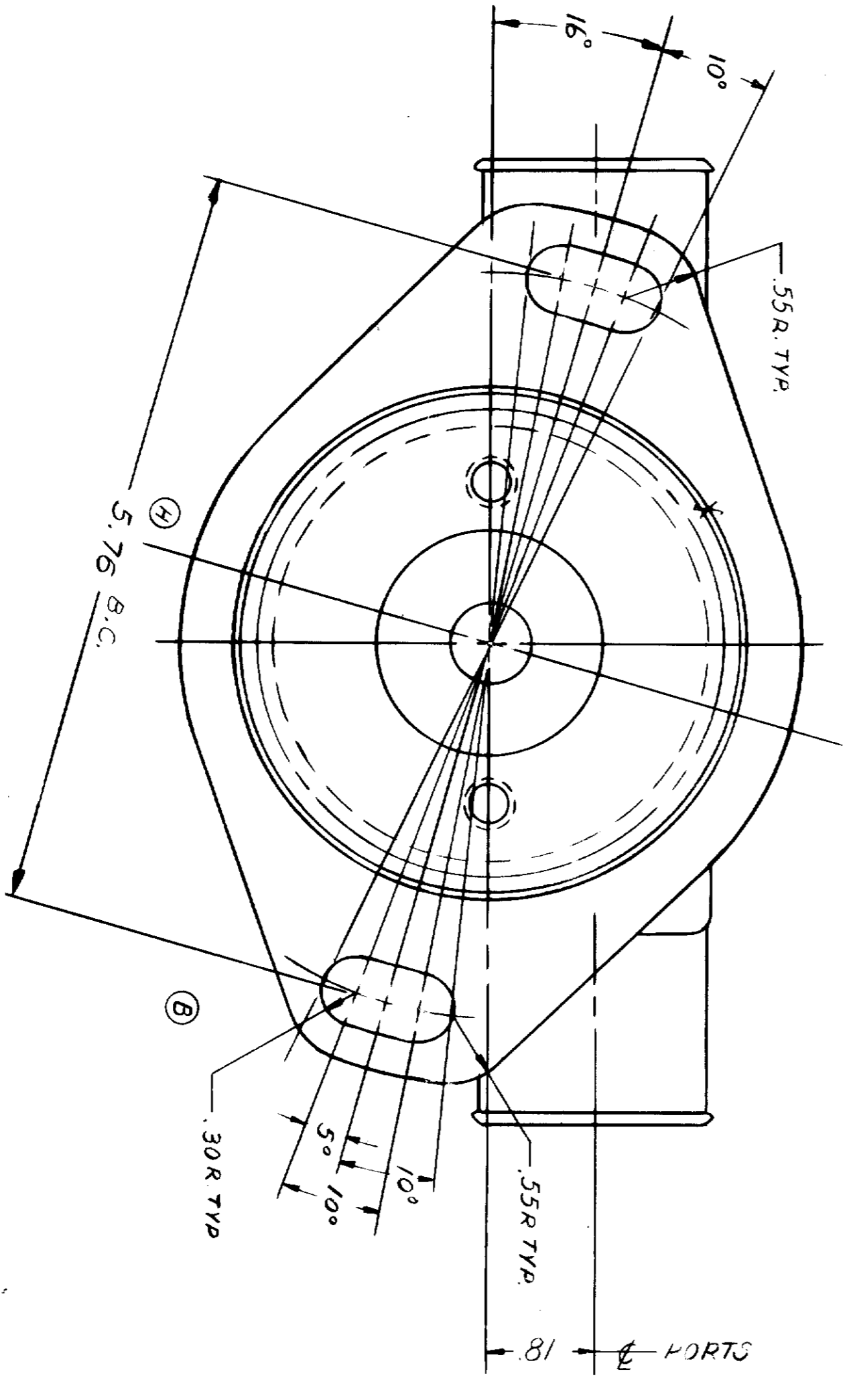


ITEM	DESCRIPTION	REQ'D	PART NO.
1	SHAFT	1	18046
2	EXT. RET. RING	3	15952
3	INT. RET. RING	1	15942
4	HOUSING	1	18385
5	END PLATE	1	16047
6	RD HD PIN	1	18442
7	RUBBER IMPELLER	1	17000
8	CAM	1	18277
9	CAM SCREW	1	19673
10	COVER PLATE	1	15742
11	5/16 LOCK WASHER	3	15944
12	5/16 HEX CAPSCREW	3	14029
13	LIP SEAL	1	18971
14	FLANGE MOUNTING ADAPTER	1	15975
15	BALL BEARING	2	15951
16	KEY	1	19209
17	MECH. SEAL	1	15154
18	SEAL SEAT	1	15453
19	SPACER	1	14184
20	FLAT WASHER	1	15940
21	O RING	1	15145
22	GEAR - EXT. DRIVE	1	14184
23	FLAT WASHER	2	18171
24	3/8 SUT. HD. BOLT	2	16030
25	SEAL & SEAT ASSY	2	15985
26	END PLATE PIN ASSY	SERVICE	15441
27	RUBBER CAP	1	19210
28	FLAT WASHER	2	19614
31	MINOR SERVICE KIT	1	18284
32	MAJOR SERVICE KIT	1	18285

NOTE (E)
 2. DEGREASE BOLTS AND HOLES PRIOR TO ASSEMBLY
 USE LOCTITE PRIMER #25556 FOLLOWED BY
 LOCTITE # 262 TORQUE 3/8" BOLTS TO 18 LB-FT
 (K)



NOTE
 1. ITEM NO 22 - FINISHED BY CUMMINS PART NO 3902175

CUMMINS # 3912139

REV	DESCRIPTION	DATE
L	NO. 19673 SCREW WAS NO. 19515	4/8 19619
K	LOC-TITE NO. E-6, WA. NO. E-71	4/8 19629
J	NO. 15953 WASHER WAS 3 KEY	4/8 19629
I	NO. 19614 FLAT WASHER ADDED	4/8 19629
H	5.76 CORRECTION FROM 5.66	4/8 19629
G	19210 ADDED	4/8 19629
F	19209 WAS 15 948	4/8 19629
E	TORQUE	4/8 19629
D	18 971 WAS 15 952	4/8 19629
C	CUMMINS NO. ADDED	4/8 19629
B	MOUNTING FLANGE REVISED	4/8 19629
A	MODEL NO. P173 WAS NO. P02	4/8 19629

SHERWOOD
 A DIVISION OF HYPO CORPORATION
 4331 E. JEFFERSON AVE. • DETROIT, MICHIGAN 48214
 PHONE 486-1000

UNLESS OTHERWISE SPECIFIED
 CAST DIMENSIONS: .02
 FINISH STOCK: 0
 MACHINING TOLERANCE: INCHES
 SURFACE FINISH: 32
 DIMENSIONS: INCHES
 DIMENSIONS: MILLIMETERS

DATE: 3/24/88
 CHECKER: [Signature]
 DATE: 6/88

RUBBER IMPELLER PUMP ASSY
 SHEET NO. P173