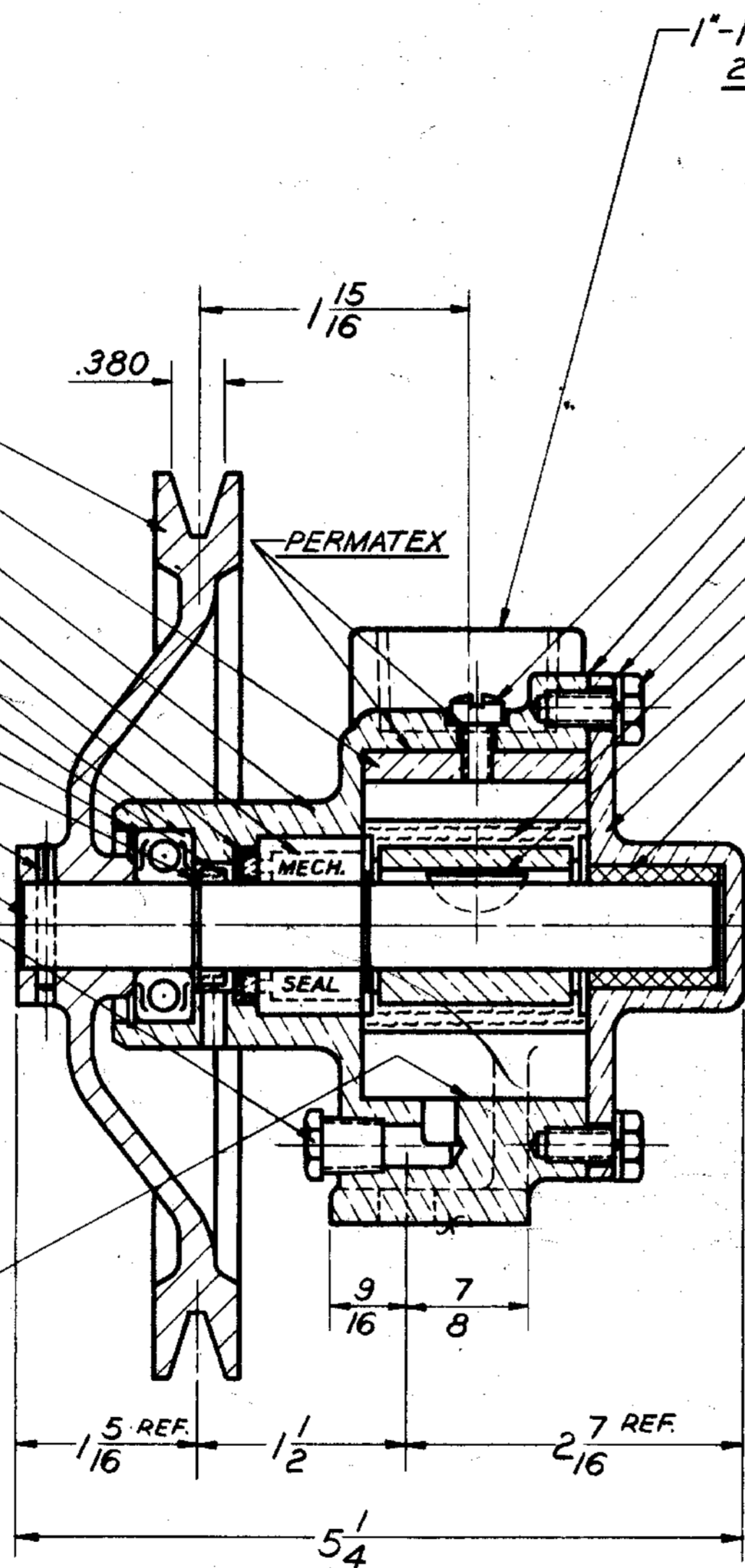


SERVICE PART NO.	COMPONENT PART NO'S	NO. REQ'D
10924	10923	1
BODY	1311	2
10183	10182	1
COVER	6333-G	1
10927	10523	1
SEAL & SEAT	10926	1

MAJOR REPAIR KIT # 12947(A)  
 MINOR REPAIR KIT # 10999(A)

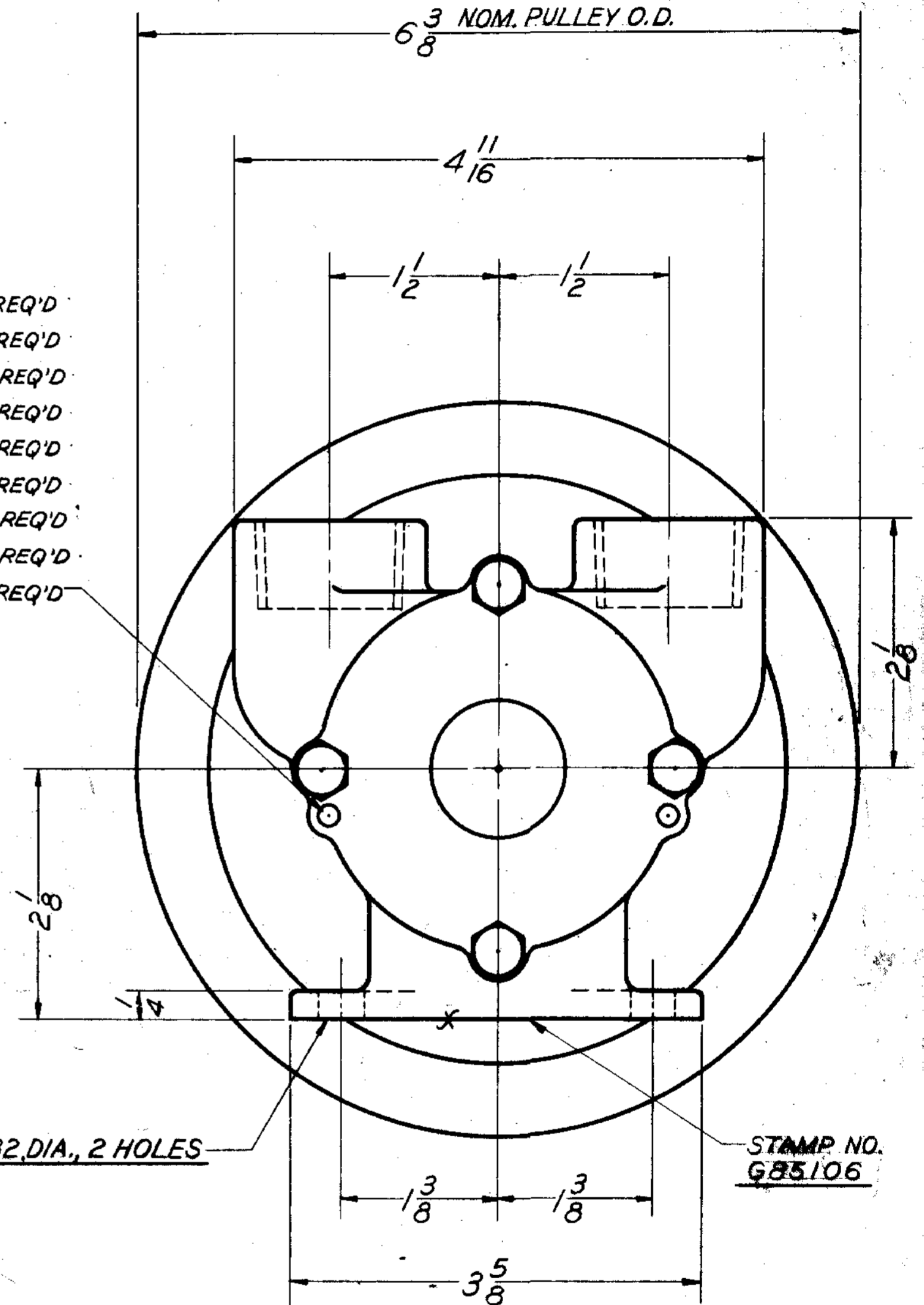
- 10511 1 REQ'D
- 10929 1 REQ'D
- 10923 1 REQ'D
- 10523 1 REQ'D
- 10926 1 REQ'D
- 4257 1 REQ'D
- 7070 1 REQ'D
- 4259 1 REQ'D
- 4258 2 REQ'D
- 6809 1 REQ'D
- 10928 1 REQ'D
- 336 1 REQ'D

- 10515 1 REQ'D
- 10931 1 REQ'D
- P-12710 4 REQ'D
- 1482 4 REQ'D
- 10615 1 REQ'D
- 4432 1 REQ'D
- 10182 1 REQ'D
- 6333-G 1 REQ'D
- 1311 2 REQ'D



COAT IMPELLER CHAMBER WITH TEXACO REGAL STARFAK N°2 GREASE ONLY

CAPACITY  
 32 G.P.M. @ 3000 R.P.M.



SHERWOOD BRASS WORKS		DETROIT, MICHIGAN	
TITLE		MATERIAL	
IMPELLER PUMP ASS'Y		SEE DETAILS	
SCALE FULL	REQ'D.	PART NO.	
DRAWN A.V.B.	DATE 12-18-63	R-10970-G	
CHECKED	DATE		
APPROVED	DATE		

DESCRIPTION	QTY	DATE
A 109996 12947 KITS ADDED	RM	12-17-63

90 WT SCALE DRAWING  
 PLUS OR MINUS .004  
 ALLOWED ON FRACTIONAL  
 DIMENSIONS. ALL HOLES  
 AND SHARP CORNERS TO  
 BE BURRED .005 TO .040  
 CORNERS AND FILLETS  
 TO BE .005, UNLESS  
 OTHERWISE SPECIFIED