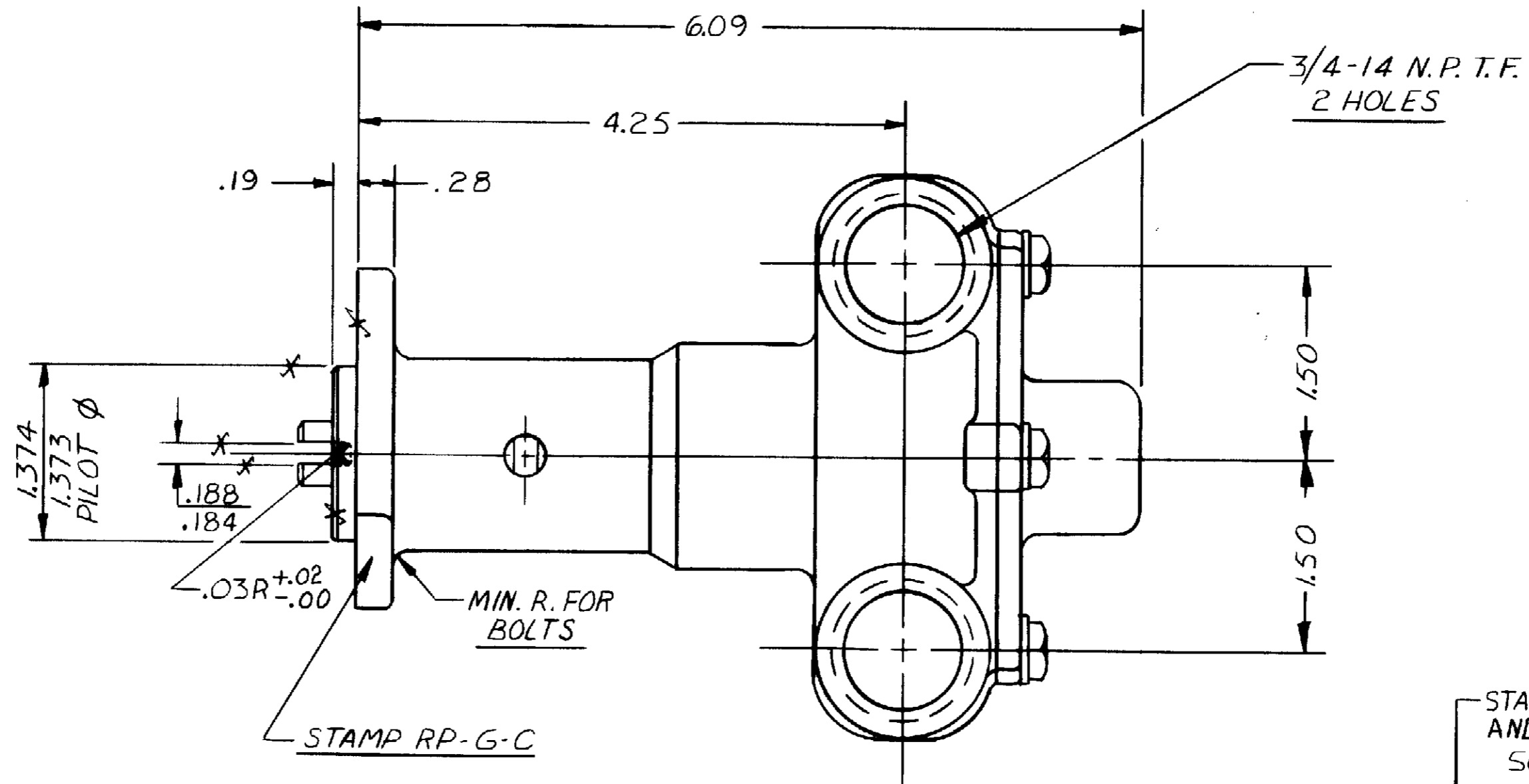


PARTS LIST

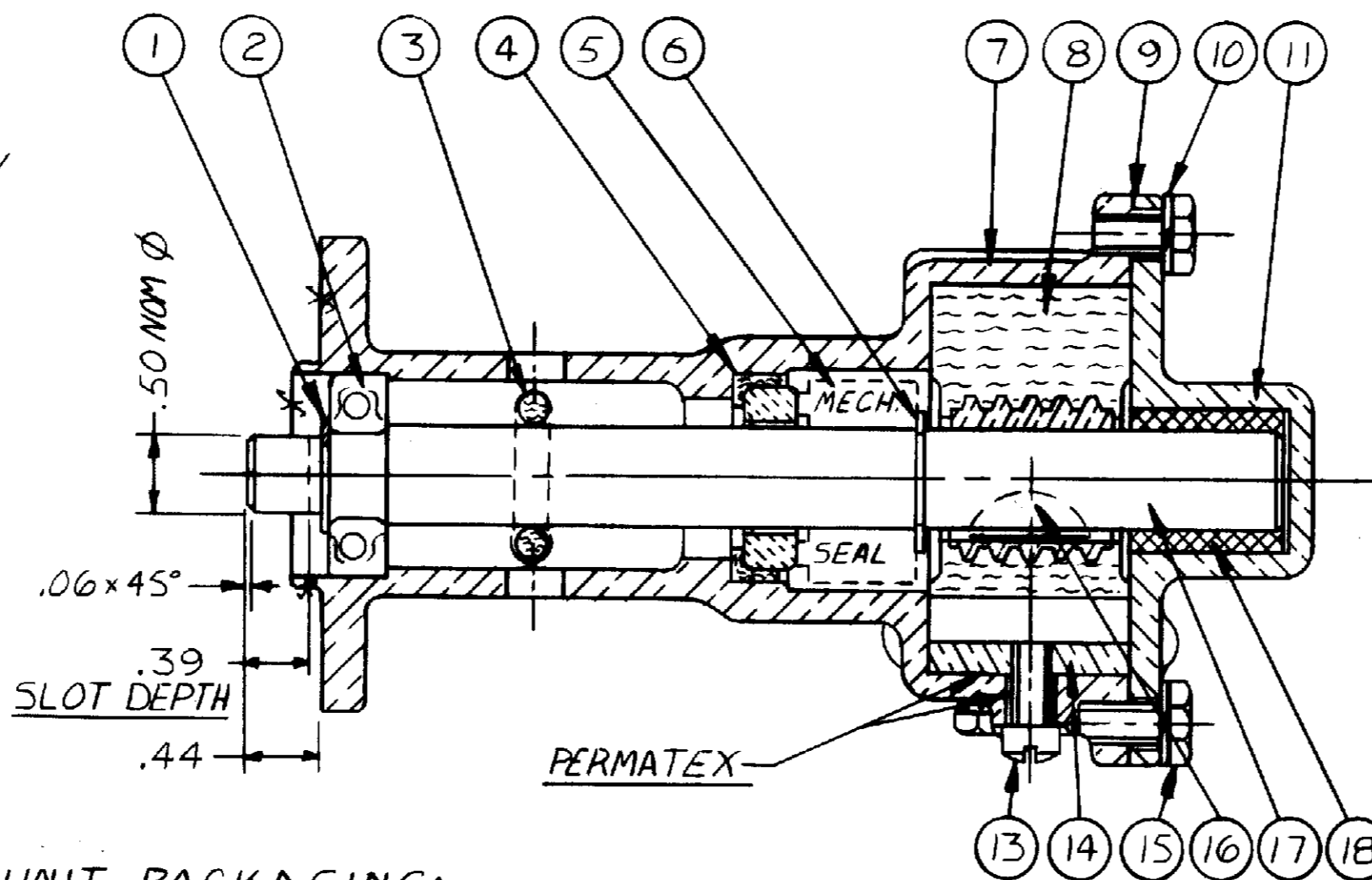
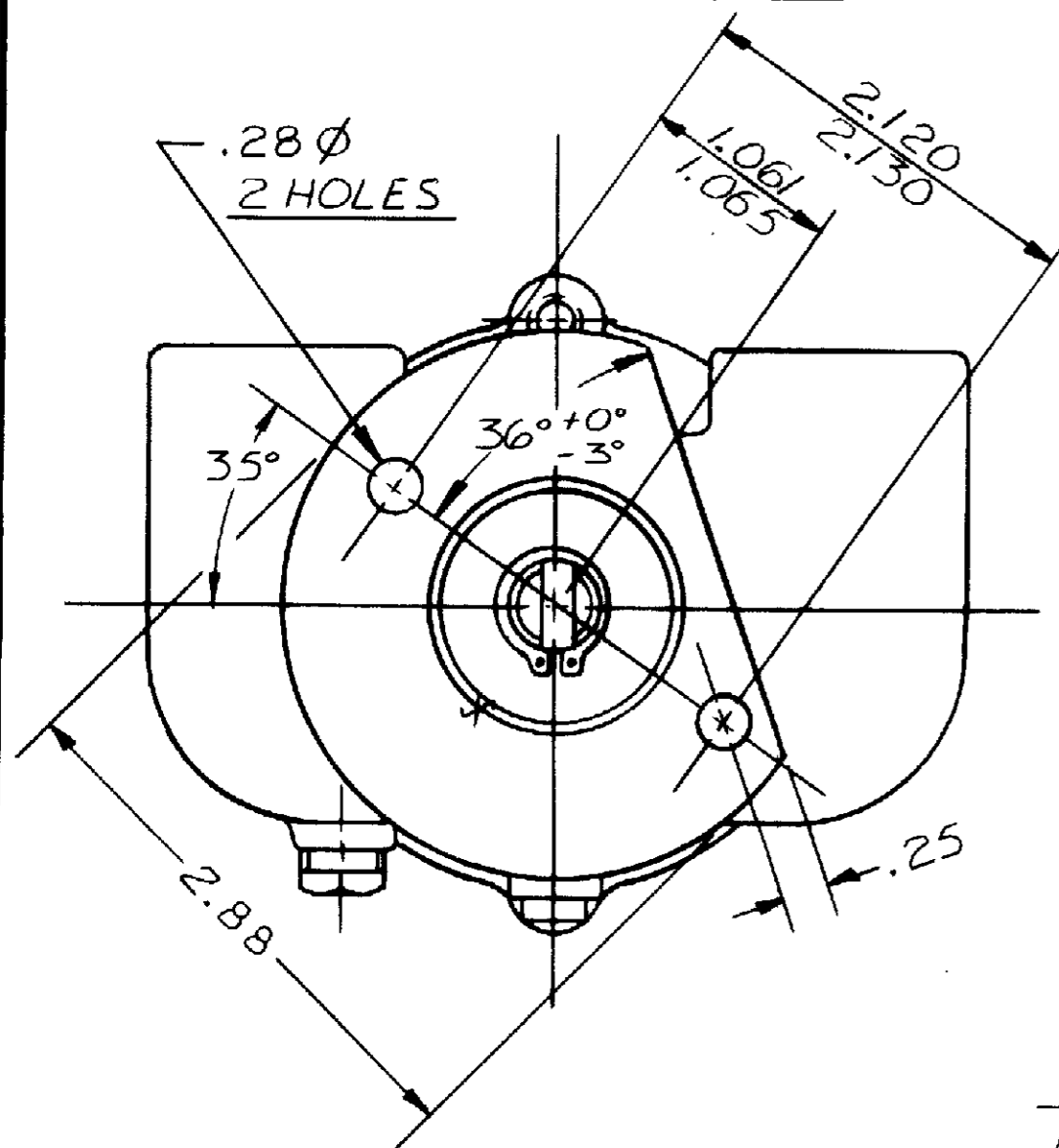
ITEM	DESCRIPTION	PART NO	QTY.
1	RETAINING RING (INT.)	5484	1
2	BALL BEARING	4306	1
3	SLINGER	10891	1
4	SEAT, SEAL	10389	1
5	MECH. SEAL	18743	1
6	RETAINING RING (EXT.)	4258	1
7	BODY	11407-C	1
8	IMPELLER	9959	1
9	GASKET	10103	1
10	LOCK WASHER	P-12710	4
11	COVER	10094	1
12	TAG (PART NO)	13285	1
13	SCREW	9919	1
14	CAM .187	10072	1
15	SCREW	1482	4
16	#9 WOODRUFF KEY	4432	1
17	SHAFT	11409-A	1
18	BUSHING	6333-G	1
19	PIN	1311	2
20	PLUG	336	1
21	CARTON	17648	1
22	JIFFY BAG	17611	1
23	LABEL	12209	1

RP-G-C

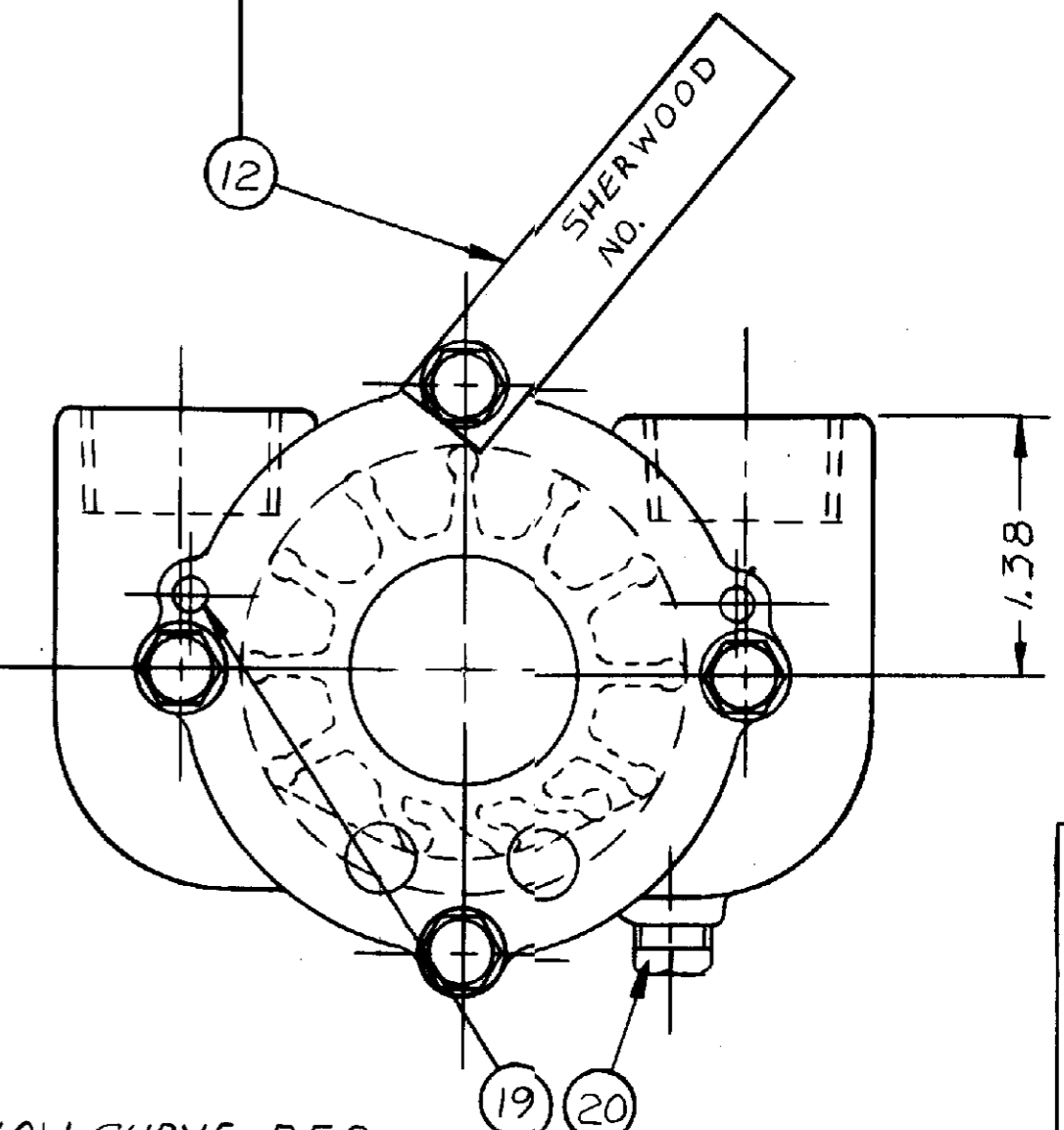


SERVICE PART NO	COMPONENT PART NO'S	NO. REQ'D
11408	11407-C	1
BODY	1311	2
10096	10094	1
COVER	6333-G	1
10545	10523	1
SEAL & SEAT	10389	1
MAJOR REPAIR KIT NO 12246		
MINOR REPAIR KIT NO 10685		

STAMP PUMP ASSEMBLY NO RP-G-C AND DATE CODE ON TAG ATTACH WITH SCREW.



FLOW CURVE R50



UNIT PACKAGING:

NO 17659 CARTON Y 1 REQ'D
 17611 JIFFY BAG #1 1 REQ'D
 12209 LABEL 1 REQ'D

CAPACITY
 6.0 G.P.M. @ 1000 R.P.M.

UNLESS OTHERWISE SPECIFIED		SHERWOOD A DIVISION OF HYPRO CORPORATION 6331 E. JEFFERSON AVE. • DETROIT, MICHIGAN 48207	
CAST DIMENSIONS ± .02	FILLETS & RADII .06	DRAFTSMAN	DATE
FINISH STOCK .07	MACHINING TOLERANCE, INCHES	BP	10-9-67
XX ± .01, XXX ± .005	SURFACE ROUGHNESS	CHECKER	DATE
ANGLES ± 0° 30'	CORNER BREAKS .01 MAX.	AVB	10-10-67
PARALLISM .001	FLATNESS .001	TITLE	
SQUARNESS .001	CONCENTRICITY .001	IMPELLER PUMP ASS'Y	
ROUNDNESS .0002	RUNOUT .001	MATERIAL	DWG. NO.
		SEE DETAILS	RP-G-C

PROJ NO AO-52

REV.	DESCRIPTION	APPR	DATE
L	REDRAWN WITHOUT CHANGE	KB	5-27-87