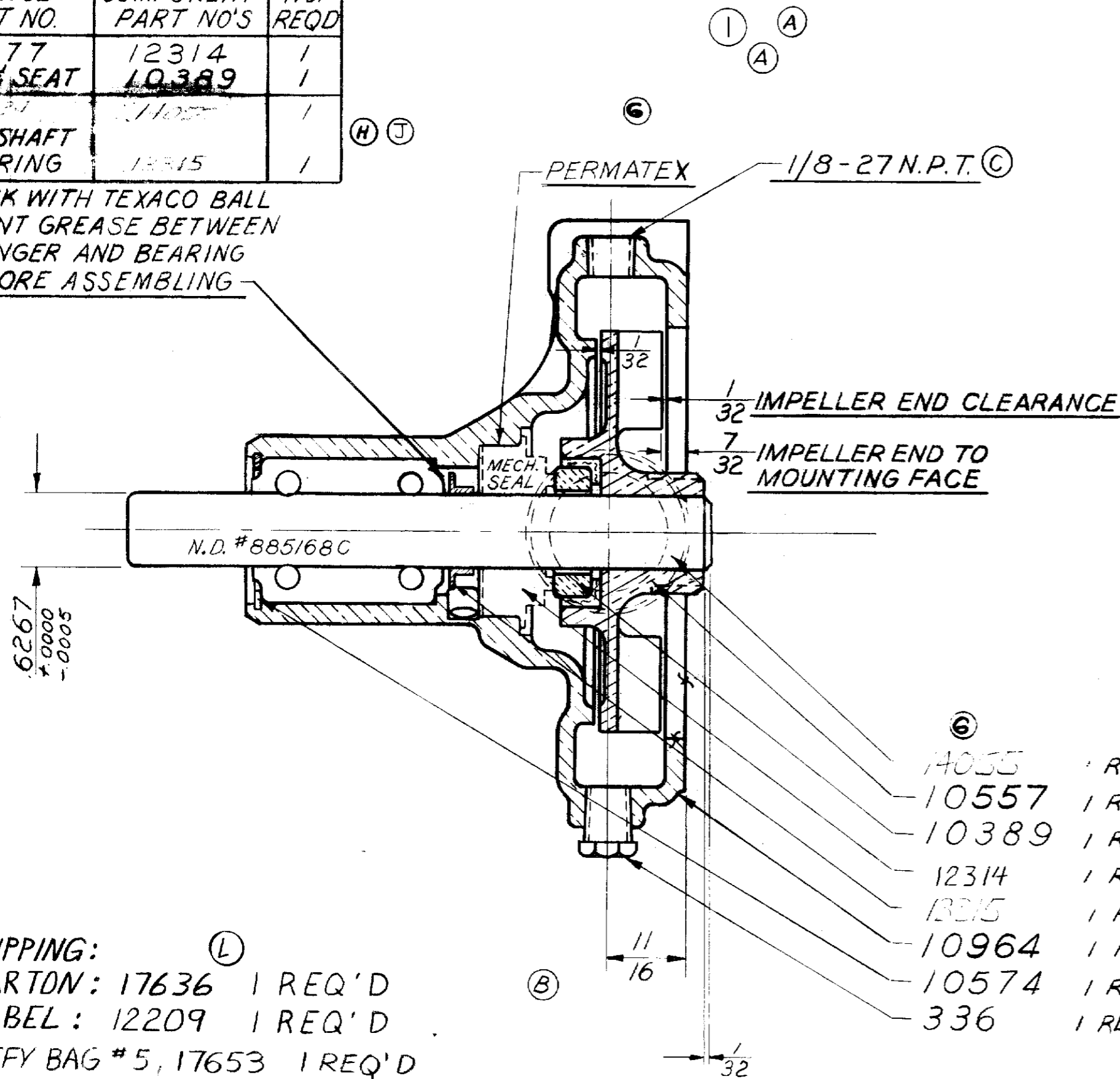


COUNTER-CLOCKWISE ROTATION  
(VIEW FROM PULLEY END)

SERVICE PART NO.	COMPONENT PART NO'S	NO. REQ'D
10577	12314	1
SEAL & SEAT	10389	1
11-724	11105	1
PUMP SHAFT BEARING	13315	1

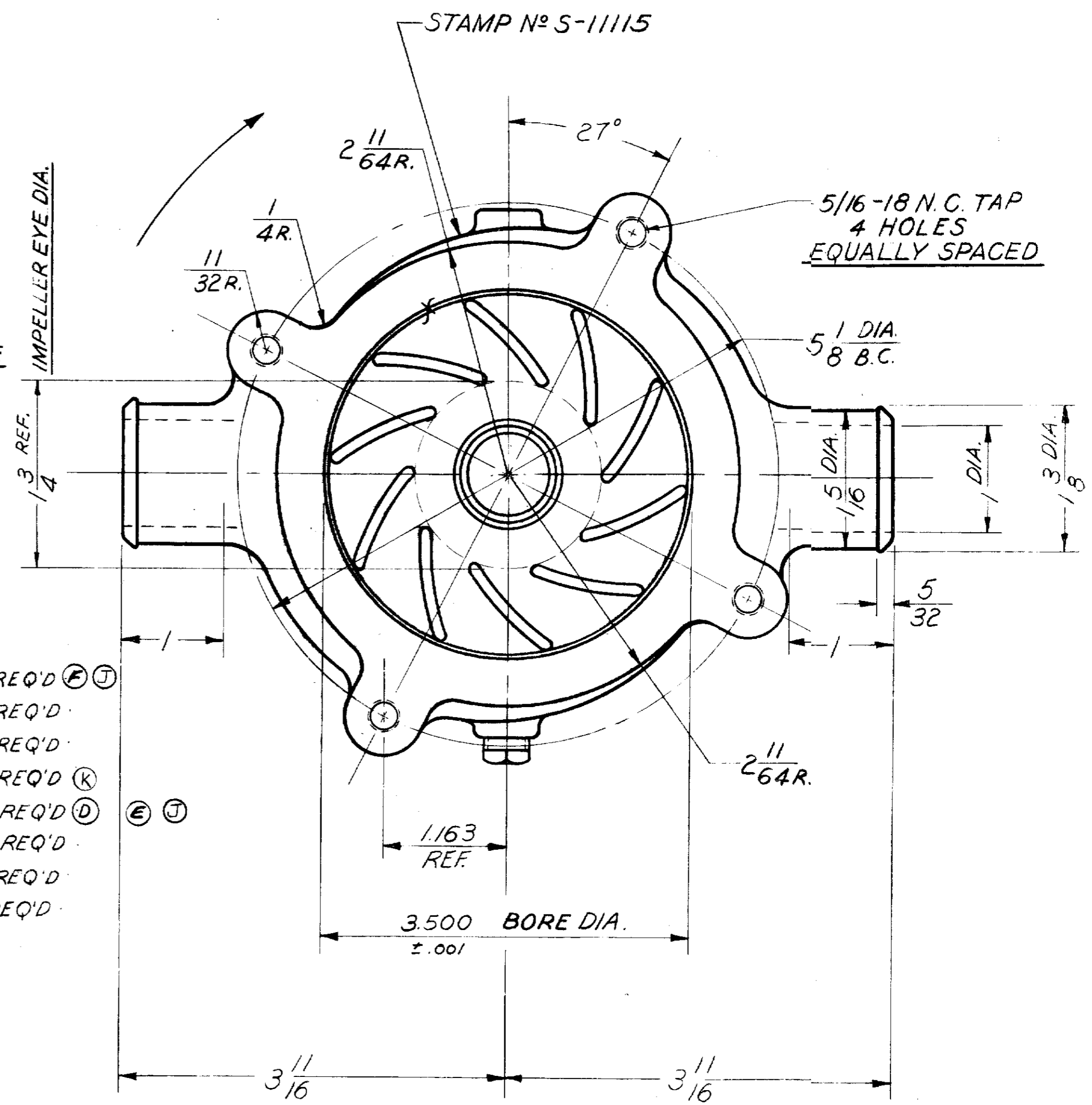
PACK WITH TEXACO BALL JOINT GREASE BETWEEN SLINGER AND BEARING BEFORE ASSEMBLING



SHIPPING: (L)  
 CARTON: 17636 1 REQ'D  
 LABEL: 12209 1 REQ'D  
 JIFFY BAG #5, 17653 1 REQ'D

- 10555 1 REQ'D (E) (J)
- 10557 1 REQ'D
- 10389 1 REQ'D
- 12314 1 REQ'D (K)
- 13315 1 REQ'D (D)
- 10964 1 REQ'D
- 10574 1 REQ'D
- 336 1 REQ'D

CAPACITY  
 30 G.P.M. EACH PORT  
 15 P.S.I. @ 4000 R.P.M.



PUMP & PULLEY ASS'Y - R.H. ENGINE 06.95-07807

<b>SHERWOOD</b> A DIVISION OF HYPRO CORPORATION 8331 E. JEFFERSON AVE. • DETROIT, MICHIGAN 48207		TITLE: <b>IMPELLER PUMP ASS'Y</b> MATERIAL: SEE DETAILS	
SCALE: FULL DRAWN: ERS CHECKED: A.V.B.		DATE: 9-11-64 DATE: 9-17-64 REF: #N-10490	
PART NO. <b>S-11115</b>		PART NO.	

REV.	DESCRIPTION	CHK'R	DATE
L	CARTON & LABEL ADDED	SH	9-13-69
K	12314 WAS 8388	SH	11-12-64
J	PUMP SHAFT BGG ASS'Y CHANGED	RJ	10-2-66
I	N <sup>o</sup> s N-14, 7822 & 7824 WERE FURNISHED BY CHRIS-CRAFT & ASSEMBLED BY SHERWOOD	PJL	5/26/69
H	WAS N <sup>o</sup> 10898 PUMPSHAFT ASS'Y	B.P.	4/24/64
G	N <sup>o</sup> s 10888 & 10636 REMOVED	B.P.	4/24/64
F	WAS N <sup>o</sup> 10573 PUMPSHAFT	B.P.	4/24/64
E	WAS N <sup>o</sup> 11106 SLINGER	B.P.	4/24/64
D	WAS N <sup>o</sup> 10891 SLINGER	A.V.B.	5/12/65
C	1/8 PIPE TAP ADDED	A.V.B.	3/3/65
B	WAS 1 7/8 HUB LOCATION	A.V.B.	10/2/64
A	WAS HUB N <sup>o</sup> 7072 AND FLANGE N <sup>o</sup> 7074 AS FURNISHED BY CHRIS CRAFT	A.V.B.	10/2/64