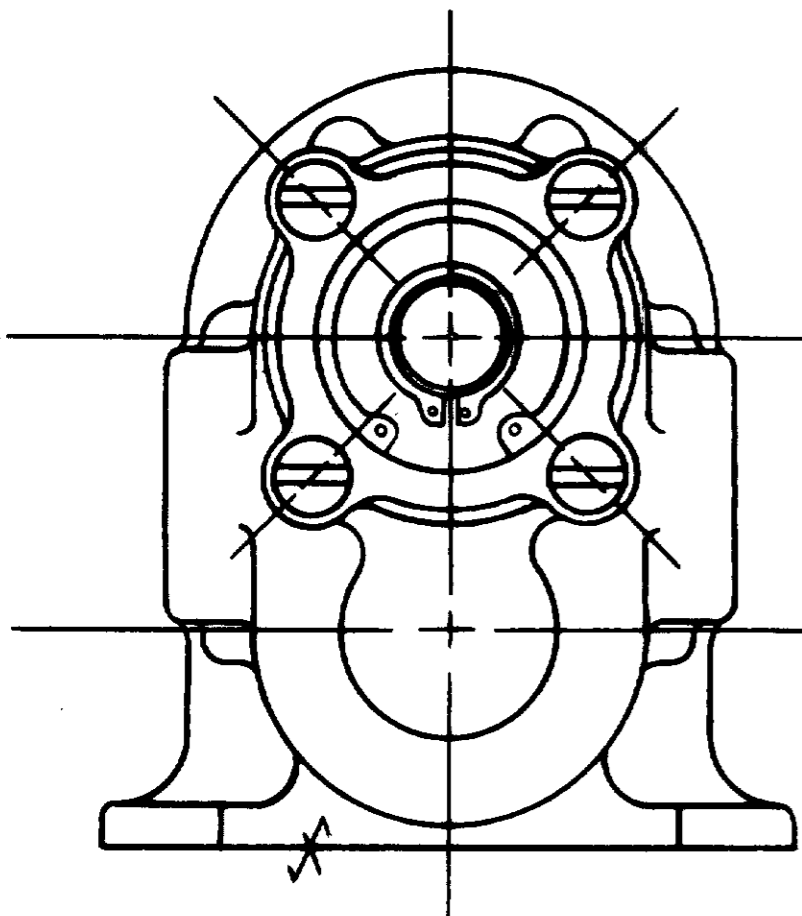
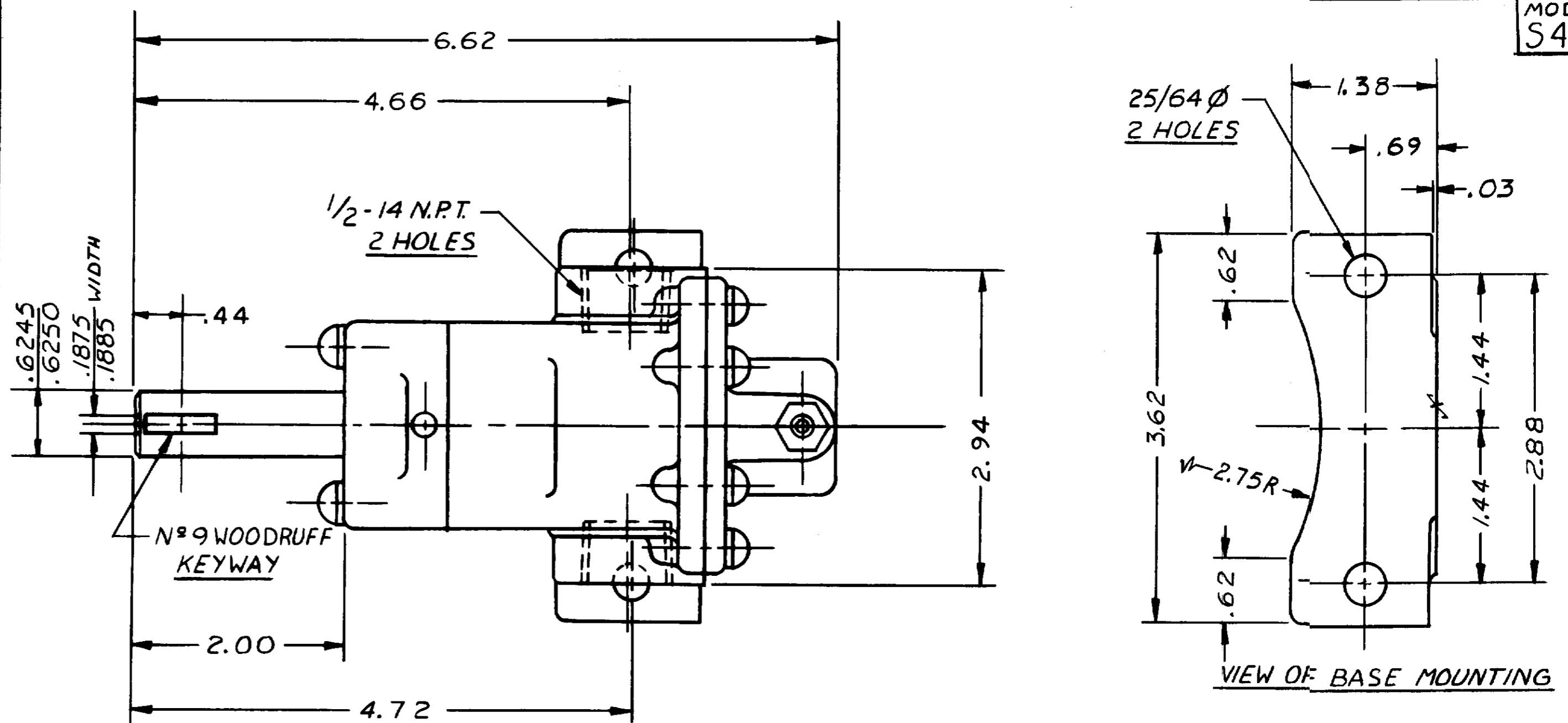


MODEL
S4-1

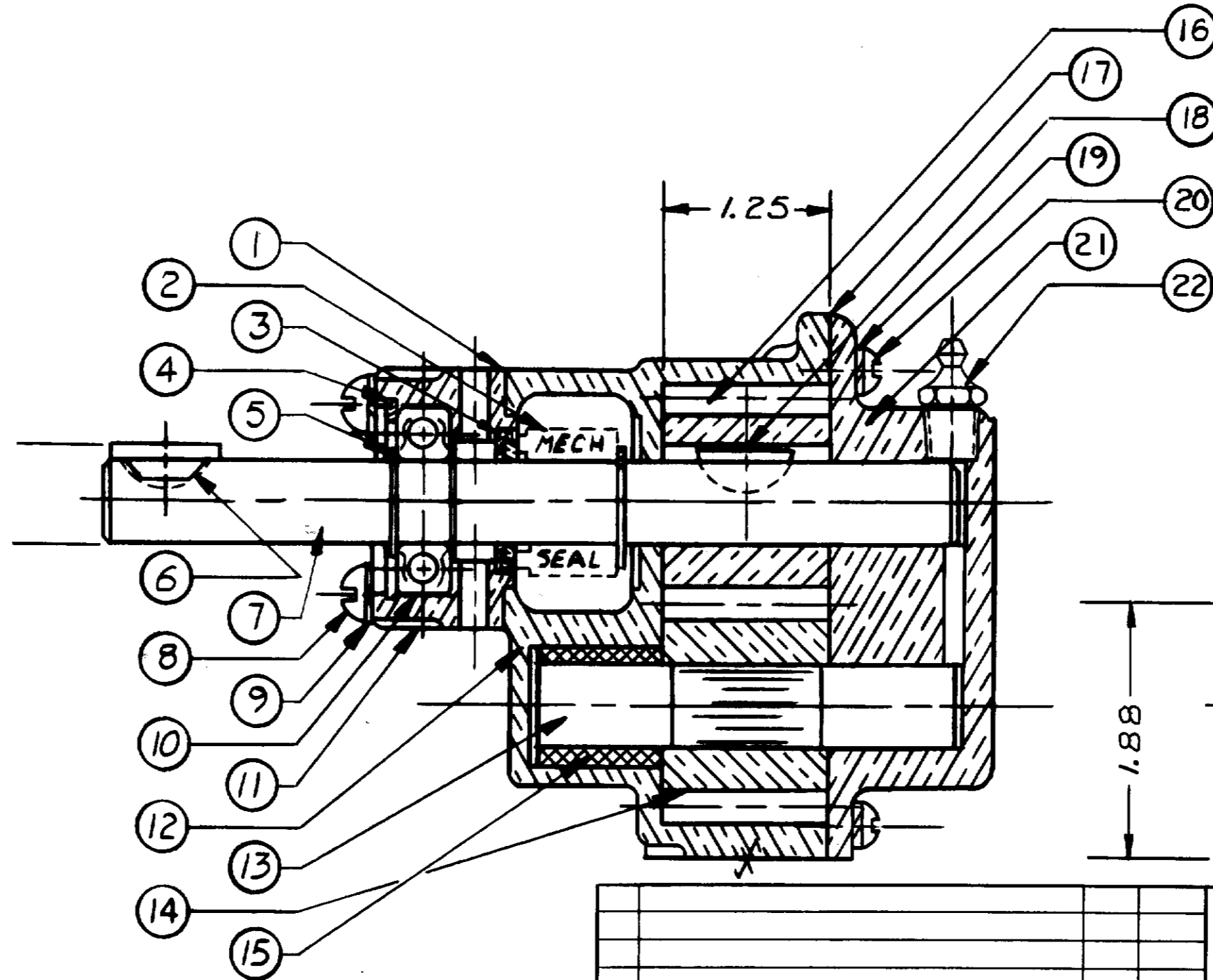
PARTS LIST

ITEM	PART N ^o	DESCRIPTION	QTY.
1	4263	.010 VELLUMOID GASKET	1
2	10523	MECH. SEAL - BUNA N	1
3	10926	SEAL SEAT - BUNA N	1
4	4259	RETAINING RING - INT.	1
5	4258	RETAINING RING - EXT.	3
6	12622	NON-ROK KEY	1
7	5782	5/8 DRIVE SHAFT	1
8	4265	1/4-20 x 1-1/2 RD. HD. SCREW	4
9	12710	LOCK WASHER	4
10	4257	BALL BEARING	1
11	11415	BEARING HOUSING	1
12	6438	BODY	1
13	6394	SHAFT-DRIVEN	1
14	456	GEAR-DRIVEN	1
15	6333	BUSHING	1
16	5828	GEAR-DRIVE	1
17	252	.006 VELLUMOID GASKET	1
18	4432	NO. 9 WOODRUFF KEY	1
19	343	LOCK WASHER	8
20	12686	10-24 x 1/2 SCREW	8
21	12070	COVER	1
22	3450	GREASE FITTING	1
2 & 3	10927	SEAL & SEAT ASS'Y.	SERVICE
3 & 11	4241	BEARING HOUSING ASSY	SERVICE
12 & 15	6445	BODY ASS'Y	SERVICE

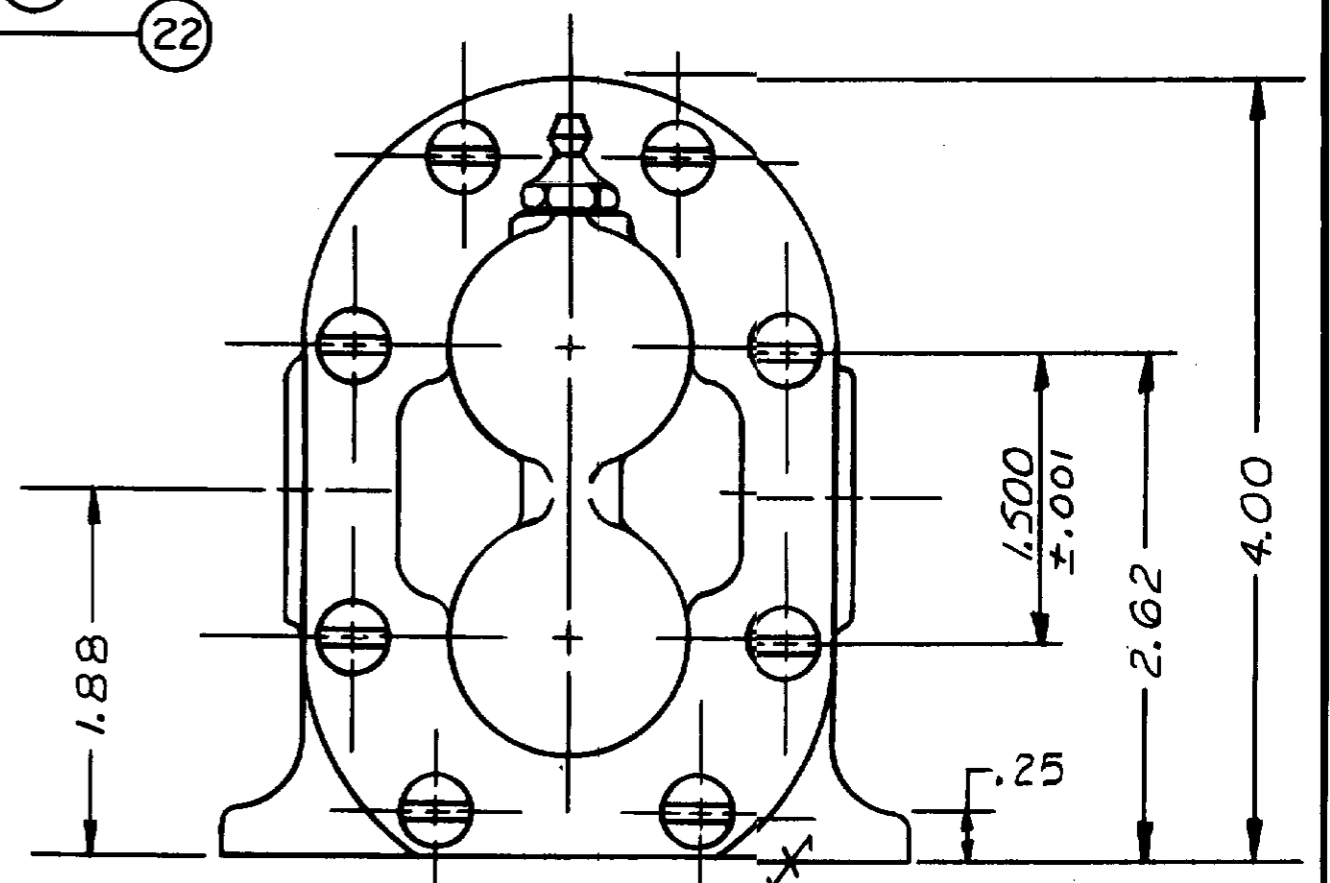


CAPACITY
5.5 G.P.M. @ 1000 R.P.M.

SPUR GEARS



FLOW CURVE: 710196



UNLESS OTHERWISE SPECIFIED		SHERWOOD A LEAR SIEGLER COMPANY	
CAST DIMENSIONS ± .02		6331 E. JEFFERSON AVE. • DETROIT, MICHIGAN 48207	
FILLETS & RADII .06		DRAFTSMAN DATE CHECKER DATE ASSY NO.	
FINISH STOCK .07		KB 10-8-87 AVB 10/15/87	
MACHINING TOLERANCE, INCHES		TITLE	
XX ± .01, XXX ± .005		GEAR PUMP ASS'Y	
SURFACE ROUGHNESS		MATERIAL	
ANGLES ± 0° 30'		SEE DETAILS	
CORNER BREAKS .01 MAX.		DWG. NO. MODEL	
PARALLISM .001		S4-1	
FLATNESS .001			
SQUARNESS .001			
CONCENTRICITY .001			
ROUNDNESS .0002			
RUNOUT .001			
REV.	DESCRIPTION	APPR	DATE